

This specification defines ATX multiple output switching power supply. The parameters of this supply are defined in this specification for Family using. This specification defines max continuous output at 400W,450W,500W,550W,600W,650W,700W,750W with 90 to 264Vac input, power supply with five outputs; +3.3V, +5V, +12V, -12V and +5VSB. The +5V standby voltage, remote on/off control, full range line input capability. An IEC connector is provided on the external face for AC input to the power supply. The power supply contains fans for cooling, while meeting acoustic requirements.

1. AC input characteristics:

1.1 AC input requirements:

The input voltage, current, and frequency requirements for continuous operation are stated show in Table 1.

Table1

Parameter	Min	Nom	Max	Unit
Vin	90	100 --- 240	264	VACrms
Vin Frequency	47	60 --- 50	63	Hz
Iin (400W/450W)		6 --- 3		A
Iin (500W/550W)		7 --- 3.5		A
Iin (600W/650W)		8 --- 4		A
Iin (700W)		9 --- 4.5		A
Iin (750W)		10 --- 5		A

1.2 AC inrush current(cold start):

The power supply must meet inrush requirements for any rated AC voltage, during turn on at any phase. of AC voltage, during a single cycle AC dropout condition, during repetitive ON/OFF cycling of AC, and over the specified temperature range (Top). The peak inrush current shall be less than the ratings of its critical components (including input fuse, bulk rectifiers, and surge limiting device).

2. DC Output characteristics:

2.1 Output voltage regulation Requirements:

The power supply output voltage must stay within the following voltage limits shown in Table2 when operating at steady state.

Table2

Parameter	Range	Min	Nom.	Max	Unit
+3.3V	±5%	+3.14	+3.30	+3.47	Volts
+5V	±5%	+4.75	+5.0	+5.25	Volts
+12V	±5%	+11.4	+12.0	+12.6	Volts
-12V	±10%	-10.8	-12.0	-13.2	Volts
+5VSB	±5%	+4.75	+5.0	+5.25	Volts

When the +12V is in the peak current load, the range of the voltage tolerance is about 10% of the standard output voltage.

ATX3100 直出線 Revision: 3.0		Date: 2020/03/16	Page 1 of 13
------------------------------	---	------------------	--------------

2.2 Output Current Requirements:

The power supply output current following shown in Table3.

Table3

400W

Parameter	Min	Max	Peak	Unit
+3.3V	0.1	20		Amps
+5V	0.2	20		Amps
+12V	0	33		Amps
-12V	0	0.3		Amps
+5VSB	0	3	3.5	Amps

Notes:

1. +3.3V and +5V combined load shall not exceed 100W.
2. The average maximum continuous DC output power shall not exceed 400W.
3. When -12V load $\geq 0.02A$,+12V minimum load is 0.8A.

450W

Parameter	Min	Max	Peak	Unit
+3.3V	0.1	20		Amps
+5V	0.2	20		Amps
+12V	0	37		Amps
-12V	0	0.3		Amps
+5VSB	0	3	3.5	Amps

Notes:

1. +3.3V and +5V combined load shall not exceed 100W.
2. The average maximum continuous DC output power shall not exceed 450W.
3. When -12V load $\geq 0.02A$,+12V minimum load is 0.8A.

500W

Parameter	Min	Max	Peak	Unit
+3.3V	0.1	20		Amps
+5V	0.2	20		Amps
+12V	0	41		Amps
-12V	0	0.3		Amps
+5VSB	0	3	3.5	Amps

Notes:

1. +3.3V and +5V combined load shall not exceed 100W.
2. The average maximum continuous DC output power shall not exceed 500W.
3. When -12V load $\geq 0.02A$,+12V minimum load is 0.8A.

ATX3100 直出線 Revision: 3.0		Date: 2020/03/16	Page 2 of 13
------------------------------	---	------------------	--------------

550W

Parameter	Min	Max	Peak	Unit
+3.3V	0.1	20		Amps
+5V	0.2	20		Amps
+12V	0	45		Amps
-12V	0	0.3		Amps
+5VSB	0	3	3.5	Amps

Notes:

1. +3.3V and +5V combined load shall not exceed 100W.
2. The average maximum continuous DC output power shall not exceed 550W.
3. When -12V load $\geq 0.02A$,+12V minimum load is 0.8A.

600W

Parameter	Min	Max	Peak	Unit
+3.3V	0.1	20		Amps
+5V	0.2	20		Amps
+12V	0	50		Amps
-12V	0	0.3		Amps
+5VSB	0	3	3.5	Amps

Notes:

1. +3.3V and +5V combined load shall not exceed 100W.
2. The average maximum continuous DC output power shall not exceed 600W.
3. When -12V load $\geq 0.02A$,+12V minimum load is 0.8A.

650W

Parameter	Min	Max	Peak	Unit
+3.3V	0.1	20		Amps
+5V	0.2	20		Amps
+12V	0	54		Amps
-12V	0	0.3		Amps
+5VSB	0	3	3.5	Amps

Notes:

1. +3.3V and +5V combined load shall not exceed 100W.
2. The average maximum continuous DC output power shall not exceed 650W.
3. When -12V load $\geq 0.02A$,+12V minimum load is 0.8A.

ATX3100 直出線 Revision: 3.0		Date: 2020/03/16	Page 3 of 13
------------------------------	---	------------------	--------------

700W

Parameter	Min	Max	Peak	Unit
+3.3V	0.1	20		Amps
+5V	0.2	20		Amps
+12V	0	58		Amps
-12V	0	0.3		Amps
+5VSB	0	3	3.5	Amps

Notes:

1. +3.3V and +5V combined load shall not exceed 100W.
2. The average maximum continuous DC output power shall not exceed 700W.
3. When -12V load $\geq 0.02A$, +12V minimum load is 0.8A.

750W

Parameter	Min	Max	Peak	Unit
+3.3V	0.1	20		Amps
+5V	0.2	20		Amps
+12V	0	62		Amps
-12V	0	0.3		Amps
+5VSB	0	3	3.5	Amps

Notes:

1. +3.3V and +5V combined load shall not exceed 100W.
2. The average maximum continuous DC output power shall not exceed 750W.
3. When -12V load $\geq 0.02A$, +12V minimum load is 0.8A.

2.3 Output Transient Response:

Table 4 summarizes the expected output transient step sizes for each output. The transient load slew rate is = 1.0 A/ μ s.

Table4

Parameter	Maximum Step Size (% of rated output amps)	Maximum Step Size (A)
+3.3V	30% load	
+5V	30% load	
+12V	85% load	
-12V		0.1A
+5VSB		0.5A

NOTES:

1. For example, for a rated +5 VDC output of 14A, the transient step would be $30\% \times 14 \text{ A} = 4.2 \text{ A}$.
2. Output voltages should remain within the regulation limits of Section 2.1, and the power supply should be stable when subjected to load transients per Table 3. from any steady state load, including any or all of the following conditions:
3. Simultaneous load steps on the +12 VDC, +5 VDC, and +3.3 VDC outputs (all steps occurring in the same direction)
4. Load-changing repetition rate of 50 Hz to 10 kHz
5. AC input range per Section 1.1 and Capacitive loading per Table 8.

2.4 Output Ripple and Noise:

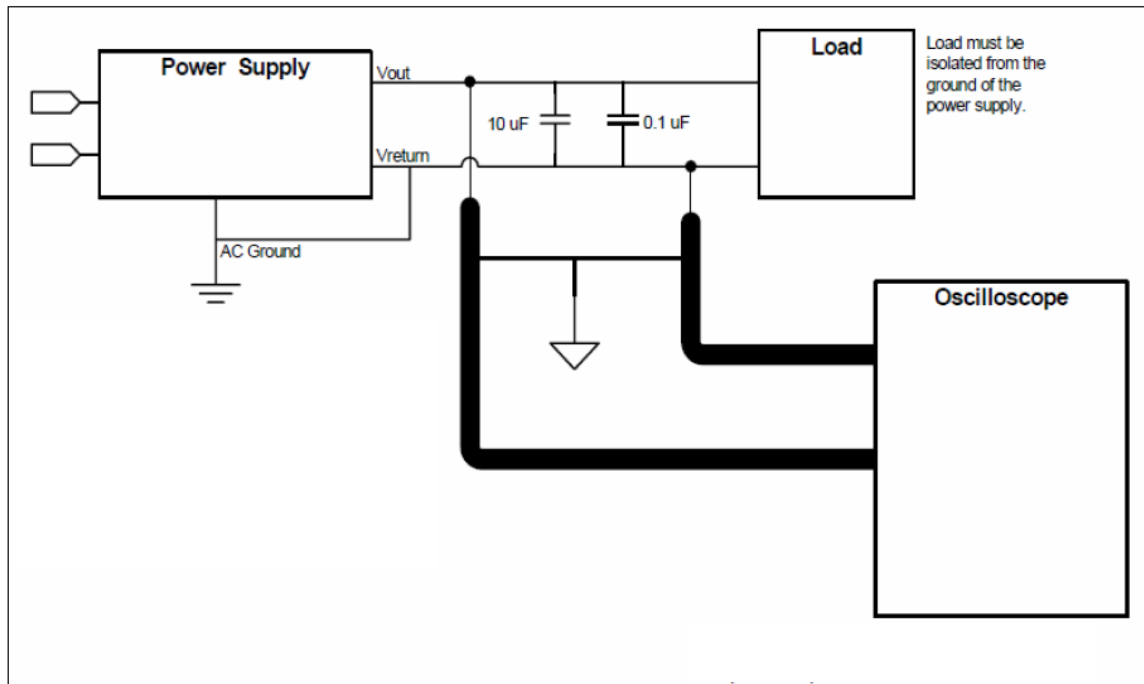
Table 5

Output	Ripple and Noise	Unit
+3.3V	50	mVp-p
+5V	50	mVp-p
+12V	120	mVp-p
-12V	120	mVp-p
+5VSB	50	mVp-p

Note:

This is measured over a bandwidth of 10Hz to 20MHz at the power supply output connector. A 10µF electrolytic capacitor in parallel with a 0.1µF ceramic capacitor is placed at the point of measurement.

Differential noise test setup



2.5 Efficiency:

2.5.1 In the 115Vac/60Hz input voltage the power supply efficiency is more than 87%.

Table6

Load	Efficiency(%)	Power Factor
20%	87	--
50%	90	>0.95
100%	87	>0.95

Note: There is a 1% tolerance in mass production

2.5.2 ERP 5VSB Efficiency

Table7

+5VSB LOAD	Efficiency target (both 110V and 230V input)
3A	75%
1.5A	75%
1A	75%
0.55A	75%
90mA	55%
45mA	45%

2.6 Remote on/off control

When the logic level "PS-ON" is low, the DC outputs are to be enabled.

When the logic level is high or open collector, the DC outputs are to be disabled.

2.7 Overshoot:

The overshoot of the DC output voltage caused by switching AC power or switch PSON# should be less than 10% of the normal output, and no reverse polarity voltage should be produced.

2.8 Capacitance Loading

The power supply shall be stable and meet all requirements with the following capacitive loading ranges.

Table8

Capacitive Loading Conditions	
Output	Capacitive Load (μF)
+3.3V	3,300
+5V	3,300
+12V	3,300
-12V	3,30
+5VSB	3,300

ATX3100 直出線 Revision: 3.0		Date: 2020/03/16	Page 6 of 13
------------------------------	---	------------------	--------------

3.Environment:

3.1 Operation temperature: Table9

Temperature	0 to 50°C
Relative Humidity	5% to 85%,on-condensing

3.2 Shipping and Storage: Table10

Temperature	-40°C ~70°C
Relative Humidity	5% to 95%,non-condensing

3.3 Altitude: Table11

Operating	≤2000m
Storage	≤3000m

3.4 Cooling mode:

Forced air cooling.

3.5 Random Vibration:

Non-operating 0.01 g²/Hz at 5 Hz, sloping to 0.02 g²/Hz at 20 Hz, and maintaining 0.02 g²/Hz from 20 Hz to 500 Hz. The area under the PSD curve is 3.13 grams.

The duration shall be 10 minutes per axis for all three axes on all samples.

4. Protection:

Due to overvoltage, over power and short circuit, the protection function of the power supply circuit is self operated, and the power is self locked. There is no output at that time. When these reasons are removed, the power is restored to the normal output state when the power is restarted. (PSON# at least 1 second; AC shutdown at least 4 seconds).

4.1 Over-power protection

The power supply will be shutdown and latch off when output power within 110~180% of rated DC output.

Note: Assurance machine can work at low voltage,full load won't damage machine.

4.2 Over voltage protection:

Table12

Output	Output voltage protection point			Unit
	Min	Nom	Max	
+3.3V	3.76	4.2	4.3	V
+5V	5.74	6.3	7.0	V
+12V	13.4	15.0	15.6	V
+5vsb	5.74	6.3	7.0	V

ATX3100 直出線 Revision: 3.0		Date: 2020/03/16	Page 7 of 13
------------------------------	---	------------------	--------------

4.3 Short circuit protection:

An output short circuit is defined as any output impedance of less than 0.1 ohms. The power supply shall shut down and latch off for shorting the +3.3 VDC, +5 VDC, or +12VDC rails to return or any other rail. Shorts between main output rails and +5VSB shall not cause any damage to the power supply. The power supply shall either shut down and latch off or fold back for shorting the negative rails. +5VSB must be capable of being shorted indefinitely, but when the short is removed, the power supply shall recover automatically or by cycling PS_ON#. The power supply shall be capable of withstanding a continuous short-circuit to the output without damage or overstress to the unit

4.4 Over Temperature Protection:

The power supply will be protected against over temperature conditions caused by loss of fan cooling or excessive ambient temperature. In an OTP condition the PSU will shutdown. When the power supply temperature drops to within specific limits, the power supply shall Latch mode.

4.5 Over current protection

The power supply shall have current limit to prevent the +3.3 V, +5 V, and +12V outputs from exceeding the values shown in Table . If the current limits are exceeded the power supply shall shutdown and latch off. The damaged from repeated power cycling in this condition. -12V and 5VSB shall be protected under over current or shorted conditions so that no damage can occur to the power supply. All outputs shall be protected so that no damage occurs to the power supply under a shorted output condition.

Table13

Voltage	Over Current Limit (Iout limit)
+3.3V	22A minimum; 30A maximum
+5V	22A minimum; 30A maximum
+12V(400W)	35A minimum; 60A maximum
+12V(450W)	40A minimum; 68A maximum
+12V(500W)	45A minimum; 75A maximum
+12V(550W)	50A minimum; 83A maximum
+12V(600W)	55A minimum; 90A maximum
+12V(650W)	60A minimum; 98A maximum
+12V(700W)	65A minimum; 105A maximum
+12V(750W)	65A minimum; 113A maximum

5. Power Supply Timing:

5.1 Signal timing drawing

Figure 2 is a reference for signal timing for main power connector signals and rails.

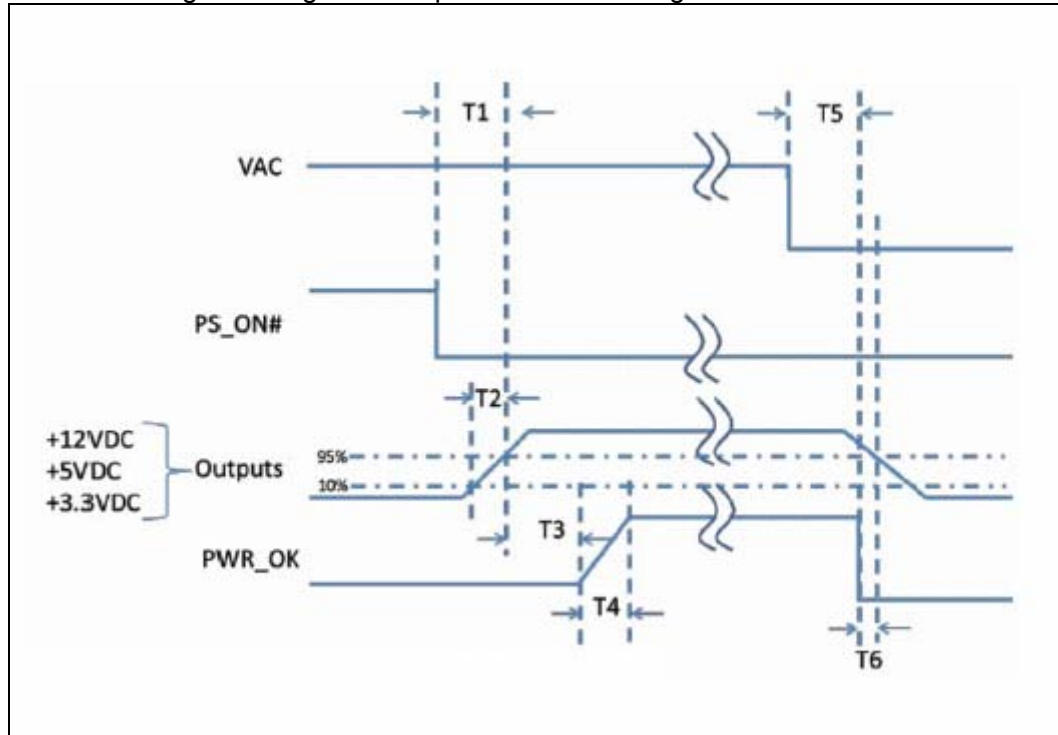


Table14

Parameter	Description	Required
T0	AC power on time	<2s
T1	Power-on time	< 500ms
T2	Rise time	0.2 – 20 ms
T3	PWR_OK delay	100 – 150ms
T4	PWR_OK rise time	< 10 ms
T5	AC loss to PWR_OK hold-up time	> 16 ms
T6	PWR_OK inactive to DC loss delay	> 1 ms

The power supply should maintain output regulations per Table 5 despite a loss of input power at the low-end nominal range-115 VAC / 47 Hz or 230 VAC / 47 Hz – at maximum continuous output load as applicable for a minimum of 17ms (T5+T6)

6. SAFETY:

The power supply designed to meet **IEC 62368-1**.

6.1 Electrical strength:

Gradually increased from 0V to 1500V is applied in the AC line and the casing, and then keep for 1 minutes, the insulation should not breakdown; if the current increases rapidly due to the test voltage and gets out of the way, that is to limit the current insulation, insulation breakdown that has occurred; corona discharge or flashover is not a single moment that is the breakdown of insulation.

6.2 Ground Resistance:

Ground resistance value less than $< 0.1 \text{ ohm}(40\text{A})$

6.3 Touch current:

When the input 250Vac, contact current less than 3.5mA.

6.4 EMC

6.4.1 ELECTROSTATIC DISCHARGE (ESD) – IEC 61000-4-2(EN 61000-4-2).

6.4.2 RADIATED SUSCEPTIBILITY – IEC 61000-4-3(EN 61000-4-3).

6.4.3 ELECTRICAL FAST TRANSIENT / BURST (EFT/B) – IEC 61000-4-4
(EN 61000-4-4).

6.4.4 SURGE – IEC 61000-4-5(EN 61000-4-5).

6.4.5 CONDUCTED SUSCEPTIBILITY – IEC 61000-4-6(EN 61000-4-6).

6.4.6 POWER FREQUENCY MAGNETIC FIELD – IEC 61000-4-8(EN 61000-4-8).

6.4.7 VOLTAGE DIPS – IEC 61000-4-11(EN 61000-4-11).

6.4.8 VOLTAGE FLUCTUATIONS – IEC 61000-3-3 (EN 61000-3-3).

6.4.9 HARMONIC CURRENT EMISSION – IEC61000-3-2(EN 61000-3-2).

6.4.10 EN55032:Class B Radio interference (CISPR 32).

6.4.11 ANSI C63.4-2009 / FCC Part 15 Subpart B / ICES-003 Issue 5 Class B 115VAC operation.

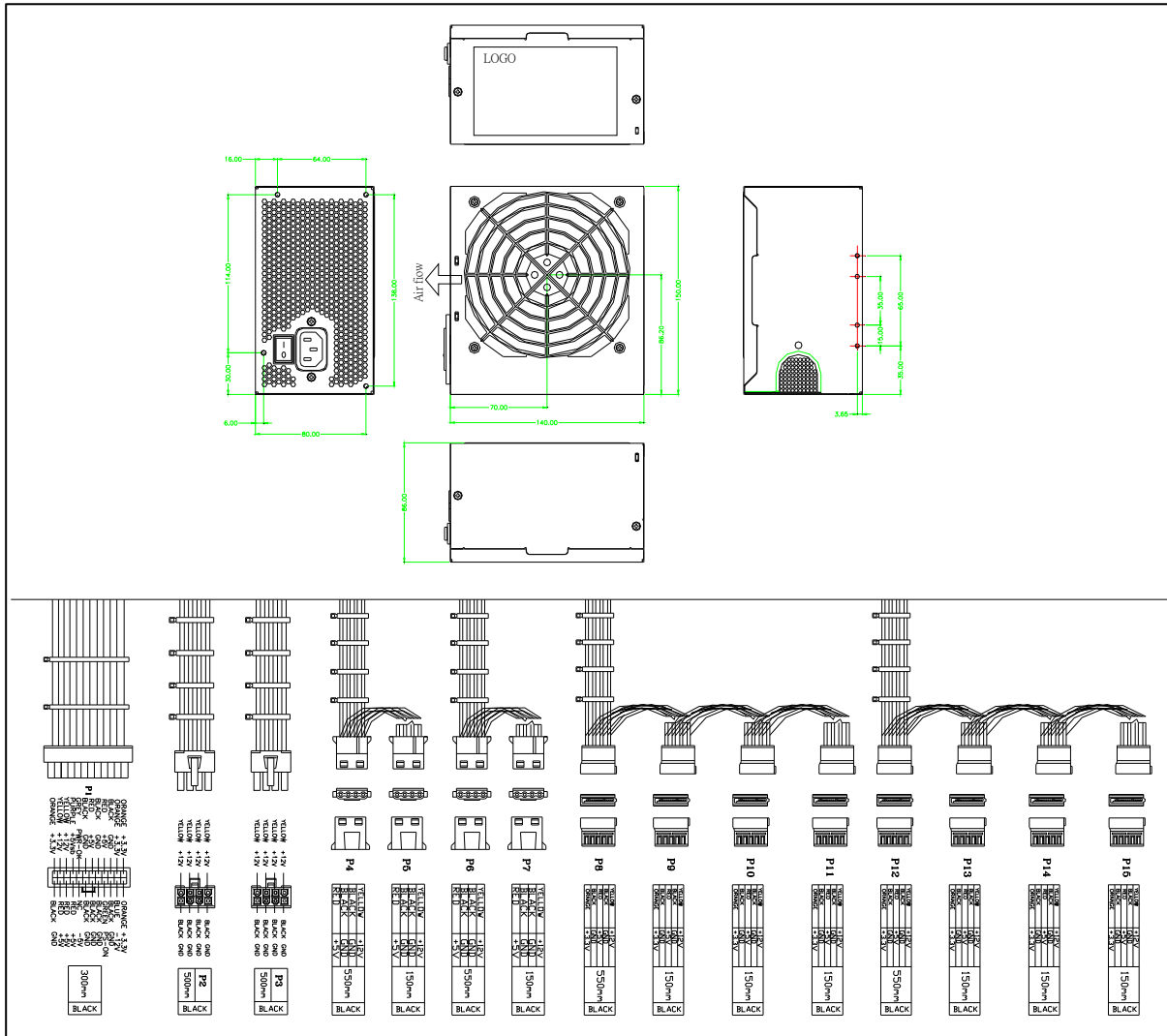
7. Reliability:

The demonstrated MTBF shall be 100,000 hours of continuous operation at 25°C and full load and nominal voltage. The MTBF of the power supply shall be calculated in accordance with MIL-HDBK-217F. The DC FAN is not included.

8. Mechanical:

8.1 Physical dimension: L140mm*W150mm*H86mm

(線材組合 & 外露長度僅供參考，可根據客戶要求更改或新增。)



ATX3100 直出線 Revision: 3.0		Date: 2020/03/16	Page 11 of 13
------------------------------	--	------------------	---------------

8.2 Connectors (INTEL approved equivalent):

M/B 20+4PIN (Molex C4202H02-2*12PB or equivalent)

18AWG wire	Signal	Pin	Pin	Signal	18AWG wire
Black	+3.3V	11	1	+3.3V	Black
Black	-12VDC (22AWG)	12	2	+3.3V	Black
Black	COM	13	3	COM	Black
	COM(22AWG)			COM(22AWG)	
Black	PS-ON(22AWG)	14	4	+5VDC	Black
				+5VDC(22AWG)	
Black	COM	15	5	COM	Black
				COM(22AWG)	Black
Black	COM	16	6	+5VDC	Black
Black	COM	17	7	COM	Black
				COM(22AWG)	
Black	NC	18	8	POK(22AWG)	Black
Black	+5VDC	19	9	+5VSB	Black
Black Black	+5VDC	20	10	+12VDC	Black
				+12VVDC(22AWG)	Black
Black	+5VDC(22AWG)	E4	E1	+12VDC	Black(22AWG)
Black	+5VDC(22AWG)	E5	E2	+12VDC	Black(22AWG)
Black	COM(22AWG)	E6	E3	+3.3V	Black(22AWG)

CPU 4+4PIN (Molex P4-I42002BK3B or equivalent)

18 AWG wire	Signal	Pin	Pin	Signal	18AWG wire
Black	COM	3	1	+12V	Black
Black	COM	4	2	+12V	Black

PCI-E 6+2PIN (Molex P6-I42002K or equivalent)

18AWG wire	Signal	Pin	Pin	Signal	22AWG wire
Black	+12V	1	4	COM	Black
Black	+12V	2	5	COM	Black
Black	+12V	3	6	COM	Black
Black	COM	1	2	COM	Black

HDD 4PIN (Molex C5082H02-4PB or equivalent)

18 AWG wire	Signal	Pin
Black	+12V	1
Black	GND	2
Black	GND	3
Black	+5V	4

SATA 5PIN (Molex P5-112702T00 or equivalent)

18 AWG wire	Signal	Pin
Black	+3.3V	5
Black	GND	4
Black	+5V	3
Black	GND	2
Black	+12V	1

9. FAN SPEED CONTROL

Fan voltage varies with the ambient temperature or output power.