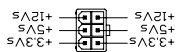
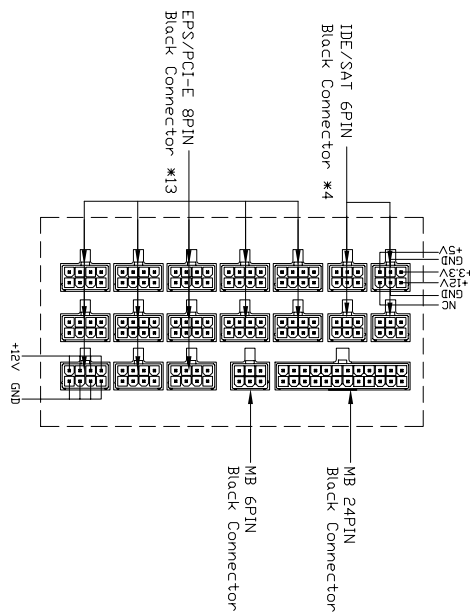
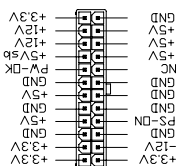


MB 6PIN

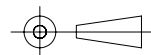


MB 24PIN



Enhance®
ELECTRONICS CO.,LTD

TEXT: ATX-3900



DRAWING NO: _____

REVISION: _____

DATE: 2022/05/06

DRAWN BY: MCJ

CHECKED BY:

APPROVED BY:

ERP: _____

SCALE: _____

SHEET 1 OF 1