

# MODEL NO. ENH2300

This specification describes the requirements of 500W,600W,700Watts switching power supply with an stretch ATX form-factor and EPS 12V, +5V standby voltage, remote on/off control, full range line input capability and forced air cooling characteristics .

## 1. AC INPUT

### 1.1 AC input requirements

The input voltage, current, and frequency requirements for continuous operation are stated below.

Table 1 AC Input Line Requirements

Parameter	Min.	Nom.	Max.	Unit
Vin( Full range )	90	<b>100 - 240</b>	264	VACrms
Vin Frequency	47	<b>60 --- 50</b>	63	Hz
Iin(500W)		<b>6.0 --- 3.0</b>		Arms
Iin(600W)		<b>7.0 --- 3.5</b>		Arms
Iin(700W)		<b>8.0 --- 4.0</b>		Arms

Power factor correction (PF)>0.90 at full load.

The power supply must meet inrush requirements for any rated AC voltage, during turn on at any phase of AC voltage, during a single cycle AC dropout condition, during repetitive ON/OFF cycling of AC, and over the specified temperature range (Top). The peak inrush current shall be less than the ratings of its critical components (including input fuse, bulk rectifiers, and surge limiting device).

## 2. DC OUTPUT

### 2.1 DC voltage regulation

Parameter	Range	Min	Nom.	Max	Unit
+3.3V	+/-3%	+3.20	+3.30	+3.40	Volts
+5V	+/-3%	+4.85	+5.00	+5.15	Volts
+12V	+/-3%	+11.64	+12.00	+12.36	Volts
-12V	+/-10%	-13.20	-12.00	-10.80	Volts
+5VSB	+/-5%	+4.75	+5.00	+5.25	Volts

Note:1>Voltage tolerance is required at main connector and S-ATA connector(if used)

2>Output transient response tested DC voltage regulation range +5V,+12V,+3.3V ±5%

### 2.2 Load ranges

#### 2.2.1 (500 Watts)

Parameter	Min(optional)	Nom.	Max	Unit
+3.3V	0	-	<b>25</b>	Amps
+5V	0	-	<b>25</b>	Amps
+12V	0.5	-	<b>41</b>	Amps
-12V	0	-	<b>0.5</b>	Amps
+5VSB	0	-	<b>3</b>	Amps

- 1.Maximum continuous total DC output power should not exceed 500W.
- 2.Maximum continuous combined load on +3.3VDC and +5VDC outputs shall not exceed 130W.
- 3.Maximum combined current for the +12V outputs shall be 41A(492W).
- 4.When -12V is load to 0.3A , +12V minimum load is 2A.

### 2.2.2 (600 Watts)

Parameter	Min(optional)	Nom.	Max	Unit
+3.3V	0	-	<b>25</b>	Amps
+5V	0	-	<b>25</b>	Amps
+12V	0.5	-	<b>50</b>	Amps
-12V	0	-	<b>0.5</b>	Amps
+5VSB	0	-	<b>3</b>	Amps

- 1.Maximum continuous total DC output power should not exceed 600W.
- 2.Maximum continuous combined load on +3.3VDC and +5VDC outputs shall not exceed 130W.
- 3.Maximum combined current for the +12V outputs shall be 50A(600W).
- 4.When -12V is load to 0.3A , +12V minimum load is 2A.

### 2.2.3 (700 Watts)

Parameter	Min(optional)	Nom.	Max	Unit
+3.3V	0	-	<b>25</b>	Amps
+5V	0	-	<b>25</b>	Amps
+12V	0.5	-	<b>58</b>	Amps
-12V	0	-	<b>0.5</b>	Amps
+5VSB	0	-	<b>3</b>	Amps

- 1.Maximum continuous total DC output power should not exceed 700W.
- 2.Maximum continuous combined load on +3.3VDC and +5VDC outputs shall not exceed 130W.
- 3.Maximum combined current for the +12V outputs shall be 58A(696W).
- 4.When -12V is load to 0.3A , +12V minimum load is 2A.

## 2.3 Output Ripple

### 2.3.1 Ripple regulation

Parameter	Ripple&Noise	Unit
+3.3V	<b>50</b>	mVp-p
+5V	<b>50</b>	mVp-p
+12V	<b>120</b>	mVp-p
-12V	<b>120</b>	mVp-p
+5VSB	<b>50</b>	mVp-p

### 2.3.2 Definition

The ripple voltage of the outputs shall be measured at the pins of the output connector when terminated in the load impedance specified in figure 1. Ripple and noise are measured at the connectors with a 0.1uF ceramic capacitor and a 10uF electrolytic capacitor to simulate system loading. Ripple shall be measured under any condition of line voltage, output load, line frequency, operation temperature.

### 2.3.3 Ripple voltage test circuit

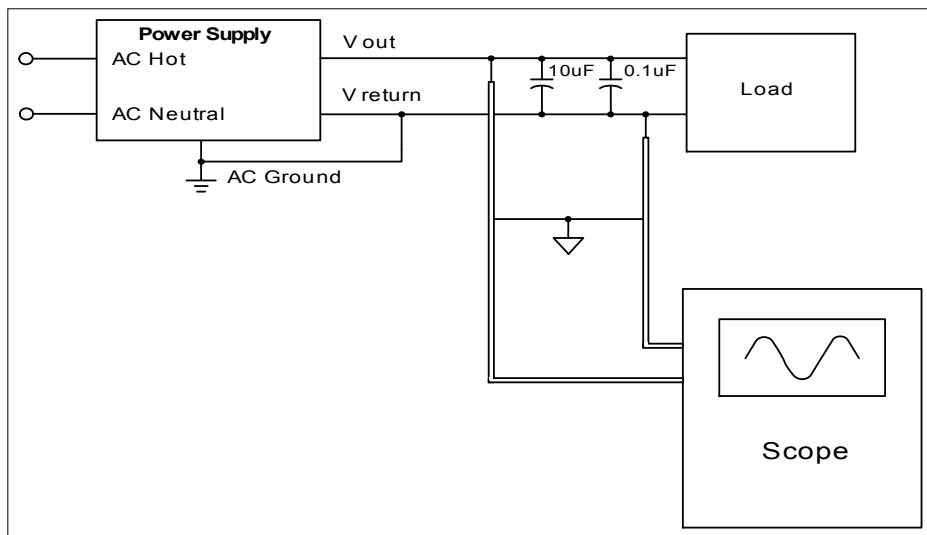


Figure 1. Ripple voltage test circuit

### 2.4 Overshoot

Any overshoot at turn on or turn off shall be less 10% of the nominal voltage value, all outputs shall be within the regulation limit of section 2.0 before issuing the power good signal of section 5.0.

### 2.5 Efficiency

The power supply efficiency typical **87%** at normal input voltage and meet the ERP2013.

### 2.6 Remote ON/OFF control

When the logic level "PS-ON" is low, the DC outputs are to be enabled.

When the logic level is high or open collector, the DC outputs are to be disabled.

## 3.0 PROTECTION

### 3.1 Over current protection

The power supply shall have current limit to prevent the +3.3V,+5V,and +12V, outputs from exceeding the values shown in the following Table. If the current limits are exceeded the power supply shall shutdown and latch off.

#### 500W

Voltage	Over Current Limit (lout limit)
+12V	44A minimum; 70A maximum
+5V	27A minimum; 50A maximum
+3.3V	27A minimum; 50A maximum

#### 600W

Voltage	Over Current Limit (lout limit)
+12V	53A minimum; 80A maximum
+5V	27A minimum; 50A maximum
+3.3V	27A minimum; 50A maximum

**700W**

Voltage	Over Current Limit (lout limit)
+12V	62A minimum; 90A maximum
+5V	27A minimum; 50A maximum
+3.3V	27A minimum; 50A maximum

**3.2 Over Temperature Protection**

The power supply will be protected against over temperature conditions caused by loss of fan cooling or excessive ambient temperature. In an OTP condition the PSU will shutdown. When the power supply temperature drops to within specified limits, the power supply shall restore power automatically. The OTP circuit must have built in hysteresis such that the power supply will not oscillate on and off due to temperature recovering condition.

**3.3 Over-power protection**

The power supply will be shutdown and latch off when output power within 110~180% of rated DC output.

Note: Assurance machine can work at low voltage, full load won't damage machine.

**3.4 Under voltage protection.**

In an under voltage fault occurs, the supply will latch all DC outputs into a shutdown state when +12V,+5V & +3.3V outputs under 85% of it's maximum value.

**3.5 Over voltage protection**

The over voltage sense circuitry and reference shall reside in packages that are separate and distinct from the regulator control circuitry and reference. No single point fault shall be able to cause a sustained over voltage condition on any or all outputs. The supply shall provide latch-mode over voltage protection as defined in Table.

Output	Minimum	Nominal	Maximum	Unit
+12 VDC	13	15	17	Volts
+5 VDC	5.5	6	7	Volts
+3.3 VDC	3.6	4	5	Volts

**3.6 Short circuit**

An output short circuit is defined as any output impedance of less than 0.1 ohms. The power supply shall shut down and latch off for shorting the +3.3 VDC,+5 VDC,or+12 VDC rails to return or any other rail. Shorts between main output rails and +5VSB shall not cause any damage to the power supply. The power supply shall either shut down and latch off or fold back for shorting the negative rails.+5VSB must be capable of being shorted indefinitely, but when the short is removed, the power supply shall recover automatically or by cycling PS\_ON#.The power supply shall be capable of withstanding a continuous short-circuit to the output without damage or overstress to the unit

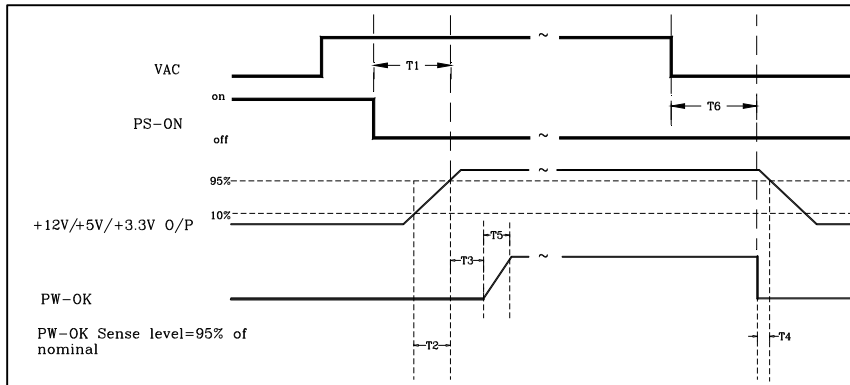
**3.7 No load operation**

No damage or hazardous condition should occur with all the DC output connectors disconnected from the load. The power supply may latch into the shutdown state.

## 4. TIMING

### 4.1 Signal timing drawing

Figure 2. is a reference for signal timing for main power connector signals and rails.



**Figure 2. PS-OK Timing Sequence**

(1)T3: Power good signal turn on delay time (100ms~500ms)

(2)T2: Rise time (0.1~70ms)

(3)T6: Hold up time

### 4.2 Hold up time

When the power loss its input power, it shall maintain 16ms in regulation limit at normal input voltage. ( Tested at 75% of maximum load and 100-240VAC input ).

## 5. ENVIRONMENT

### 5.1 Operation

Temperature	0 to 50°C
Relative Humidity	10 to 90%, non-condensing

### 5.2 Shipping and Storage

Temperature	-20 to 90°C
Relative Humidity	5 to 95%, non-condensing

### 5.3 Altitude

Operating	2000m
Storage	3000m

## 6. SAFETY

### 6.1 Underwriters Laboratory (UL) recognition.

The power supply designed to meet UL 60950.

**7. ELECTROMAGNETIC COMPATIBILITY (EMC)**

- 7.1 ELECTROSTATIC DISCHARGE (ESD) – IEC 61000-4-2(EN 61000-4-2).
- 7.2 RADIATED SUSCEPTIBILITY – IEC 61000-4-3(EN 61000-4-3).
- 7.3 ELECTRICAL FAST TRANSIENT / BURST ( EFT/B) – IEC 61000-4 -4(EN 61000-4-4).
- 7.4 SURGE – IEC 61000-4-5(EN 61000-4-5).
- 7.5 CONDUCTED SUSCEPTIBILITY – IEC 61000-4-6(EN 61000-4-6).
- 7.6 POWER FREQUENCY MAGNETIC FIELD – IEC 61000-4-8(EN 61000-4-8).
- 7.7 VOLTAGE DIPS – IEC 61000-4-11(EN 61000-4-11).
- 7.8 VOLTAGE FLUCTUATIONS – IEC 61000-3-3 (EN 61000-3-3).
- 7.9 HARMONIC CURRENT EMISSION – IEC61000-3-2(EN 61000-3-2).
- 7.10 EN55032:Class B Radio interference (CISPR 22).
- 7.11 ANSI C63.4-2009 / FCC Part 15 Subpart B / ICES-003 Issue 5 Class B 115VAC operation.

**8. MTBF**

**8.1 MTBF (mean time between failures) calculation**

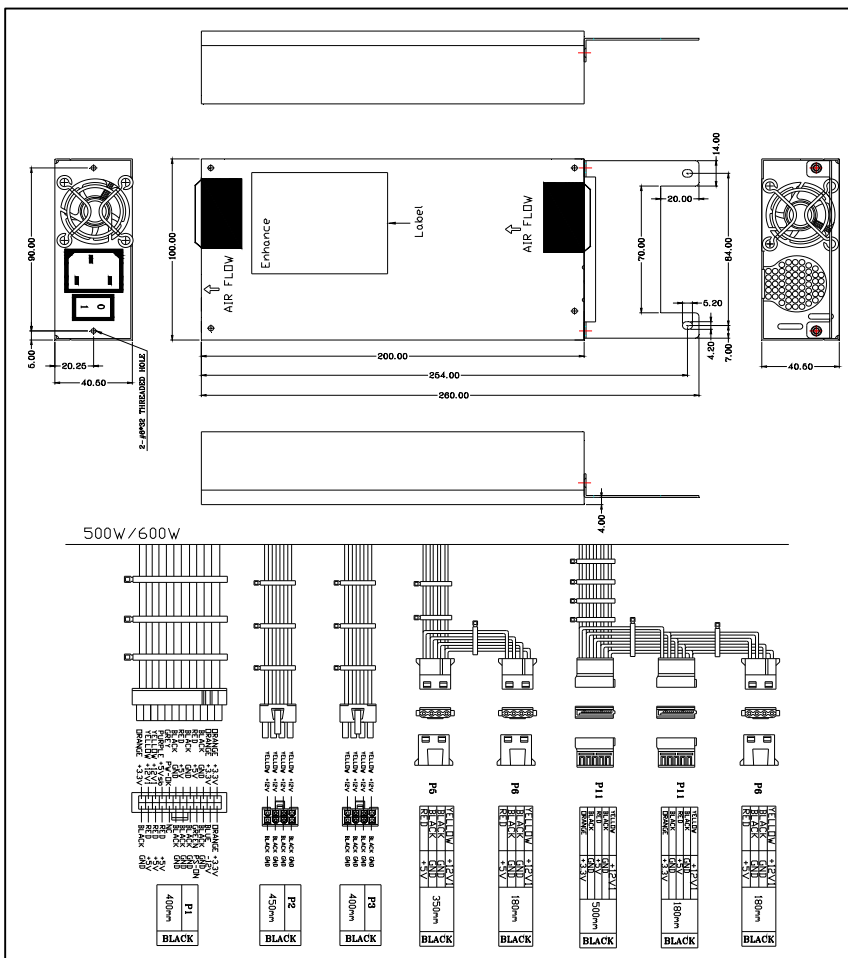
The demonstrated MTBF shall be 100,000 hours of continuous operation at 25°C,at 80% load, and nominal line. The MTBF of the power supply be calculated in accordance with MIL-HDBK-217F. The DC FAN is not included.

**9. MECHANICAL REQUIREMENTS**

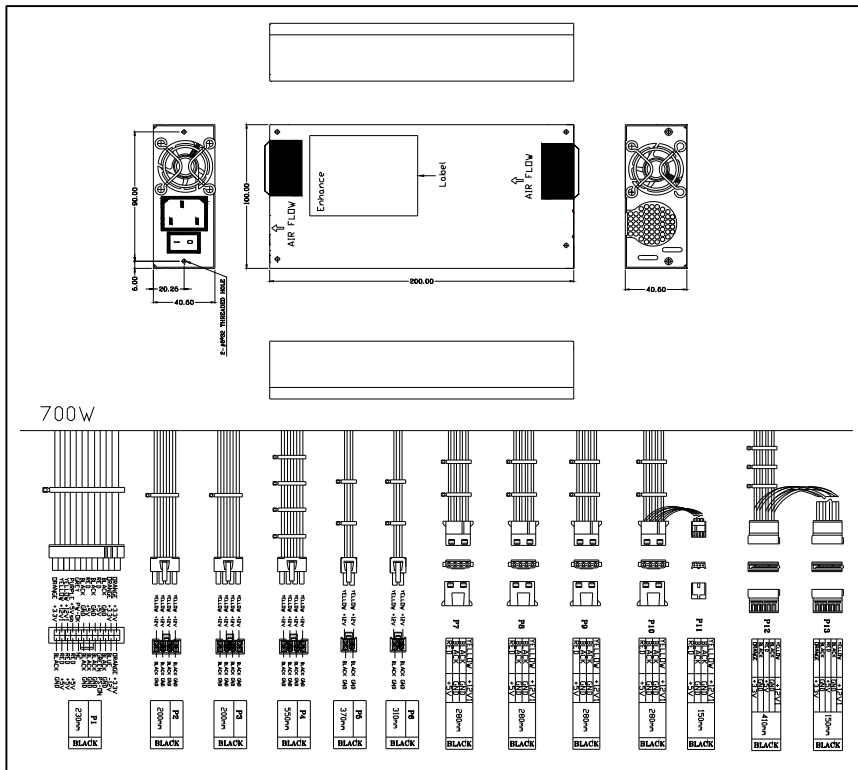
**9.1 Physical dimension (L200mm\*W100mm\*H40.5mm)**

(線材組合&外露長度僅供參考，可根據客戶要求更改或新增。)

**500W/600W**



700W



9.2 Connectors (INTEL approved or equivalent)

P1 Connector (24PIN:Molex 44476-1111 or equivalent)

18AWG wire	Signal	Pin	Pin	Signal	18AWG wire
Orange(18AWG)	+3.3V	11	1	+3.3V	Orange
Blue(20WAG)	-12VDC	12	2	+3.3V	Orange
Black	COM	13	3	COM	Black
Green(20WAG)	PS-ON	14	4	+5VDC	Red(18WAG)
Black	COM	15	5	COM	Black
Black	COM	16	6	+5VDC	Red
Black	COM	17	7	COM	Black
White	NC	18	8	PS-OK	Gray(20WAG)
Red	+5VDC	19	9	+5Vsb	Purple(18WAG)
Red	+5VDC	20	10	+12V	Yellow
Red	+5VDC	T3	T1	+12V	Yellow
Black	COM	T4	T2	+3.3V	Orange

P2,P3,P4 (6+2)PIN (Molex 90331-0010 or equivalent)

Pin	Signal	18 AWG wire	Pin	Signal	18 AWG wire
BLACK	COM	1	5	+12V	Yellow
BLACK	COM	2	6	+12V	Yellow
BLACK	COM	3	7	+12V	Yellow
BLACK	COM	4	8	+12V	Yellow

**P5,P6,P9,P10,(AMP 1-480424-0 or Molex 8981-04P or equivalent)**

**P7,P8(AMP 171822-4 or equivalent)**

18 AWG wire	Signal	Pin	Pin	Signal	22AWG wire
Yellow	+12V1	1	1	+5VDC	Yellow
Black	COM	2	2	COM	Black
Black	COM	3	3	COM	Black
Red	+5V	4	4	+5V	Red

**P12,P13,P14 SATA Power Connector (Molex\* 88751 or equivalent)(optional)**

18AWG wire	Signal	Pin
Yellow	+12V1	1
Black	COM	2
Red	+5V	3
Black	COM	4
Orange	+3.3V	5

**10. FAN SPEED CONTROL (optional)**

Fan voltage varies with the ambient temperature or output power.