

This specification defines **ATX12V Rev 3.1 & EPS12V Ver. 2.92** multiple output switching power supply. The parameters of this supply are defined in this specification for Family using. This specification defines max continuous output at **1100W,1350W** with 100 to 240Vac input, and **1500W,1650W** with 115 to 240Vac input. and **2000W** with 200V to 240Vac input power supply with five outputs; +3.3V, +5V, +12V, -12V and +5VSB. The +5V standby voltage, remote on/off control, full range line input capability. An IEC connector is provided on the external face for AC input to the power supply. The power supply contains fans for cooling, while meeting acoustic requirements.

Note: The type of machine is ATX58000 system, the latter two digits represent Watt number, the column ATX58110 (1100W), ATX58135 (1350W), ATX58150 (1500W), ATX58165 (1650W), ATX58200 (2000W).

## 1. AC input characteristics:

### 1.1 AC input requirements:

The input voltage, current, and frequency requirements for continuous operation are stated show in Table 1.

Table1 A

Parameter	Min	Nom	Max	Unit
Vin	90	<b>100 --- 240</b>	264	VACrms
Vin Frequency	47	<b>60 --- 50</b>	63	Hz
Iin (1100W)		<b>12 --- 6</b>		A
Iin (1350W)		<b>15 --- 7.5</b>		A

Table1 B

Parameter	Min	Nom	Max	Unit
Vin	103	<b>115 --- 240</b>	264	VACrms
Vin Frequency	47	<b>60 --- 50</b>	63	Hz
Iin (1500W)		<b>15 --- 8</b>		A
Iin (1650W)		<b>15 --- 9</b>		A

Table1 C

Parameter	Min	Nom	Max	Unit
Vin	180	<b>200 --- 240</b>	264	VACrms
Vin Frequency	47	<b>60 --- 50</b>	63	Hz
Iin (2000W)		<b>12</b>		A

### 1.2 AC inrush current(cold start):

The power supply must meet inrush requirements for any rated AC voltage, during turn on at any phase. of AC voltage, during a single cycle AC dropout condition, during repetitive ON/OFF cycling of AC, and over the specified temperature range .The peak inrush current shall be less than the ratings of its critical components (including input fuse, bulk rectifiers, and surge limiting device).

Note: Enhance Design Internal Standard: Vac input 115V 50A MAX, Vac input 230V 100A MAX.

ATX-58000 Revision: 3.0 Enhance Gen 5.1		Date: 2023/11/28	Page 1 of 13
---	---	------------------	--------------

## 2. DC Output characteristics:

### 2.1 Output voltage regulation Requirements:

The power supply output voltage must stay within the following voltage limits shown in Table2 when operating at steady state.

Table2

Parameter	Range	Min	Nom.	Max	Unit
+3.3V	±5%	+3.14	+3.30	+3.47	Volts
+5V	±5%	+4.75	+5.0	+5.25	Volts
+12V	+5%/-7%	+11.20	+12.0	+12.6	Volts
-12V	±10%	-10.8	-12.0	-13.2	Volts
+5VSB	±5%	+4.75	+5.0	+5.25	Volts

### 2.2 Output Current Requirements:

The power supply output current following shown in Table3.

Table3

#### 1100W

Parameter	Min	Max	Peak	Unit
+3.3V	0	<b>25</b>		Amps
+5V	0	<b>22</b>		Amps
+12V	0	<b>92</b>		Amps
-12V	0	<b>0.3</b>		Amps
+5VSB	0	<b>3</b>		Amps

Notes:

1. The maximum continuous average DC output power shall not exceed 1100W.
2. Maximum continuous combined load on +3.3V and +5V outputs shall not exceed 120W.
3. The **12V-2x6** Max load shall not exceed 50A(600W).

## 1350W

Parameter	Min	Max	Peak	Unit
+3.3V	0	<b>25</b>		Amps
+5V	0	<b>22</b>		Amps
+12V	0	<b>112</b>		Amps
-12V	0	<b>0.3</b>		Amps
+5VSB	0	<b>3</b>		Amps

Notes:

1. The maximum continuous average DC output power shall not exceed 1350W.
2. Maximum continuous combined load on +3.3V and +5V outputs shall not exceed 120W.
3. The **12V-2x6** Max load shall not exceed 50A(600W).

## 1500W

Parameter	Min	Max	Peak	Unit
+3.3V	0	<b>25</b>		Amps
+5V	0	<b>22</b>		Amps
+12V	0	<b>125</b>		Amps
-12V	0	<b>0.3</b>		Amps
+5VSB	0	<b>3</b>		Amps

Notes:

1. The maximum continuous average DC output power shall not exceed 1500W.
2. Maximum continuous combined load on +3.3V and +5V outputs shall not exceed 120W.
3. The **12V-2x6** Max load shall not exceed 50A(600W).

## 1650W

Parameter	Min	Max	Peak	Unit
+3.3V	0	<b>25</b>		Amps
+5V	0	<b>22</b>		Amps
+12V	0	<b>137</b>		Amps
-12V	0	<b>0.3</b>		Amps
+5VSB	0	<b>3</b>		Amps

Notes:

1. The maximum continuous average DC output power shall not exceed 1650W.
2. Maximum continuous combined load on +3.3V and +5V outputs shall not exceed 120W.
3. The **12V-2x6** Max load shall not exceed 50A(600W).

## 2000W

Parameter	Min	Max	Peak	Unit
+3.3V	0	<b>25</b>		Amps
+5V	0	<b>22</b>		Amps
+12V	0	<b>166</b>		Amps
-12V	0	<b>0.3</b>		Amps
+5VSB	0	<b>3</b>		Amps

Notes:

1. The maximum continuous average DC output power shall not exceed 2000W.
2. Maximum continuous combined load on +3.3V and +5V outputs shall not exceed 120W.
3. The **12V-2x6** Max load shall not exceed 50A(600W).

### 2.3 Output Transient Response:

Table 4 summarizes the expected output transient step sizes for each output.

+12V Min load 1A for 0%~85% load.

The +3.3V&+5V transient load slew rate is = 1.0 A/μs. The +12V transient load slew rate is = 5.0 A/μs.

Table4

Parameter	Maximum Step Size (% of rated output amps)	Maximum Step Size (A)
+3.3V	40% load	
+5V	40% load	
+12V	85% load	1A
+12V (12V-2x6)	Steps from 100%→300% 30%→100%	1A
-12V		0.1A
+5VSB		0.5A

NOTES:

1. For example, for a rated +5 VDC output of 14A, the transient step would be 30% x 14 A = 4.2 A.
2. Output voltages should remain within the regulation limits of Section 2.1, and the power supply should be stable when subjected to load transients per Table 3. from any steady state load, including any or all of the following conditions:
3. Simultaneous load steps on the +12 VDC, +5 VDC, and +3.3 VDC outputs (all steps occurring in the same direction)
4. Load-changing repetition rate of 50 Hz to 10 kHz
5. AC input range per Section 1.1 and Capacitive loading per Table 8.

ATX-58000 Revision: 3.0 Enhance Gen 5.1		Date: 2023/11/28	Page 4 of 13
---	---	------------------	--------------

## 2.4 Output Ripple and Noise:

Table5

Output	Ripple and Noise	Unit
+3.3V	<b>30</b>	mVp-p
+5V	<b>30</b>	mVp-p
+12V	<b>60</b>	mVp-p
-12V	<b>60</b>	mVp-p
+5VSB	<b>30</b>	mVp-p

Note:

This is measured over a bandwidth of 10Hz to 20MHz at the power supply output connector. A 10 $\mu$ F electrolytic capacitor in a parallel with a 0.1 $\mu$ F ceramic capacitor is placed at the point of measurement.

Differential noise test setup

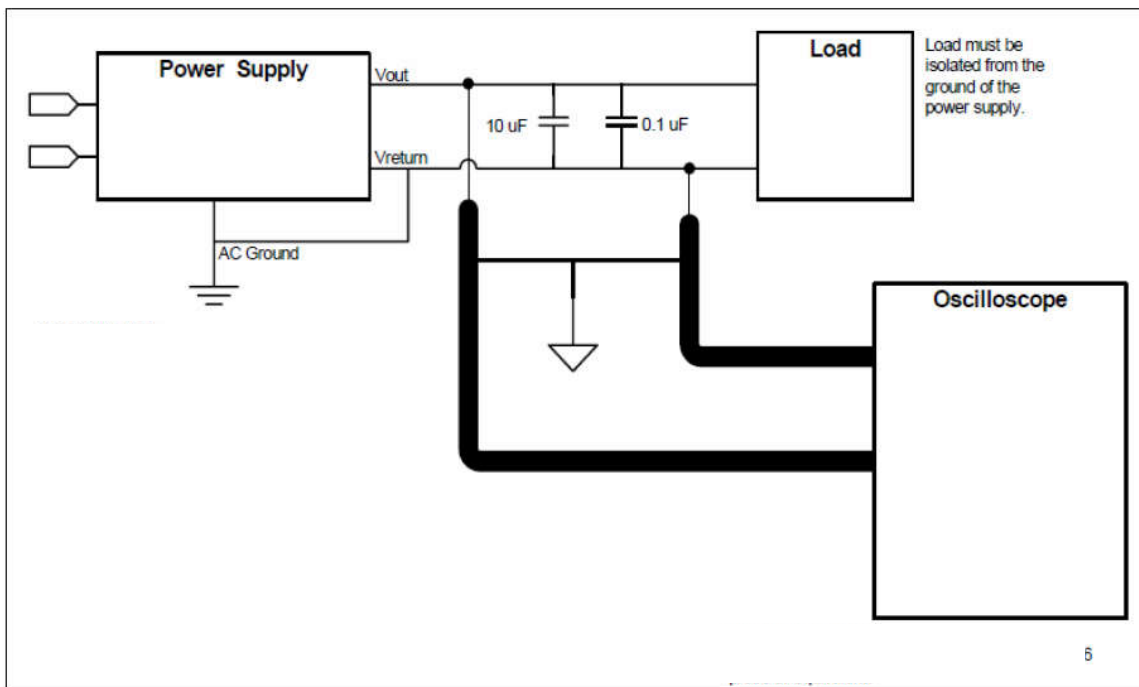


Figure 1

## 2.5 Efficiency:

2.5.1 In the 115Vac/60Hz input voltage the power supply efficiency is more than 94%.

Table6 A

1100W,1350W,1500W,1650W:

Load	Efficiency(%)	Power Factor
2%	<b>60</b>	
20%	<b>90</b>	
50%	<b>92</b>	>0.95
100%	<b>89</b>	

Note: There is a 0.5% tolerance in mass production

2.5.2 In the 230Vac/60Hz input voltage the power supply efficiency is more than 94%.

2000W: Table6 B

Load	Efficiency(%)	Power Factor
2%	<b>60</b>	
20%	<b>92</b>	--
50%	<b>94</b>	>0.9
100%	<b>90</b>	

Note: There is a 0.5% tolerance in mass production

2.5.3 ERP 5VSB Efficiency

Table7

+5VSB LOAD	Efficiency target (both 110V and 230V input)
3A	<b>75%</b>
1.5A	<b>75%</b>
1A	<b>75%</b>
0.55A	<b>75%</b>
45mA	<b>45%</b>

## 2.6 Remote on/off control

When the logic level "PS-ON" is low, the DC outputs are to be enabled.

When the logic level is high or open collector, the DC outputs are to be disabled.

## 2.7 Overshoot:

The overshoot of the DC output voltage caused by switching AC power or switch PSON# should be less than 10% of the normal output, and no reverse polarity voltage should be produced.

## 2.8 Capacitance Loading

The power supply shall be stable and meet all requirements with the following capacitive loading ranges.

Table8

Capacitive Loading Conditions	
Output	Capacitive Load (μF)
+3.3V	3,300
+5V	3,300
+12V	3,300
-12V	3,30
+5VSB	3,300

### 3.Environment:

#### 3.1 Operation temperature:

Table9

Temperature	0 to 50°C
Relative Humidity	5% to 85%,on-condensing

#### 3.2 Shipping and Storage:

Table10

Temperature	-40°C ~ 70°C
Relative Humidity	5% to 95%,non-condensing

#### 3.3 Altitude:

Table11

Operating	≤5000m
Storage	≤5000m

#### 3.4 Cooling mode:

Forced air cooling.

#### 3.5 Random Vibration:

Non-operating 0.01 g<sup>2</sup>/Hz at 5 Hz, sloping to 0.02 g<sup>2</sup>/Hz at 20 Hz, and maintaining 0.02 g<sup>2</sup>/Hz from 20 Hz to 500 Hz. The area under the PSD curve is 3.13 grams.

The duration shall be 10 minutes per axis for all three axes on all samples.

### 4. Protection:

Due to overvoltage, over power and short circuit, the protection function of the power supply circuit is self operated, and the power is self locked. There is no output at that time. When these reasons are removed, the power is restored to the normal output state when the power is restarted. (PSON# at least 1 second; AC shutdown at least 4 seconds).

#### 4.1 Over-power protection

The power supply will be shutdown and latch off when output power within **110~150%** of rated DC output.

Note: Assurance machine can work at low voltage,full load won't damage machine.

#### 4.2 Over voltage protection:

Table12

Output	Output voltage protection point			Unit
	Min	Nom	Max	
+3.3V	3.76	4.2	4.3	V
+5V	5.74	6.3	7.0	V
+12V	13.4	15.0	15.6	V
+5VSB	5.74	6.3	7.0	V

### 4.3 Short circuit protection:

An output short circuit is defined as any output impedance of less than 0.1 ohms. The power supply shall shut down and latch off for shorting the +3.3 VDC, +5 VDC, or +12VDC rails to return or any other rail. Shorts between main output rails and +5VSB shall not cause any damage to the power supply. The power supply shall either shut down and latch off or fold back for shorting the negative rails. +5VSB must be capable of being shorted indefinitely, but when the short is removed, the power supply shall recover automatically or by cycling PS\_ON#. The power supply shall be capable of withstanding a continuous short-circuit to the output without damage or overstress to the unit

### 4.4 Over Temperature Protection:

The power supply will be protected against over temperature conditions caused by loss of fan cooling or excessive ambient temperature. In an OTP condition the PSU will shutdown. When the power supply temperature drops to within specific limits, the power supply shall latch mode.

### 4.5 Over current protection

The power supply shall have current limit to prevent the +3.3 V, +5 V, and +12V outputs from exceeding the values shown in Table . If the current limits are exceeded the power supply shall shutdown and latch off. The damaged from repeated power cycling in this condition. -12V and 5VSB shall be protected under over current or shorted conditions so that no damage can occur to the power supply. All outputs shall be protected so that no damage occurs to the power supply under a shorted output condition.

Table13

Voltage	Over Current Limit (Iout limit)
+3.3V	25A minimum; 50A maximum
+5V	25A minimum; 50A maximum
+12V(1100W)	110A minimum; 150A maximum
+12V(1350W)	135A minimum; 180A maximum
+12V(1500W)	150A minimum; 200A maximum
+12V(1650W)	165A minimum; 220A maximum
+12V(2000W)	200A minimum; 265A maximum



## 5. Power Supply Timing

### 5.1 Signal timing drawing

Figure 2 is a reference for signal timing for main power connector signals and rails.

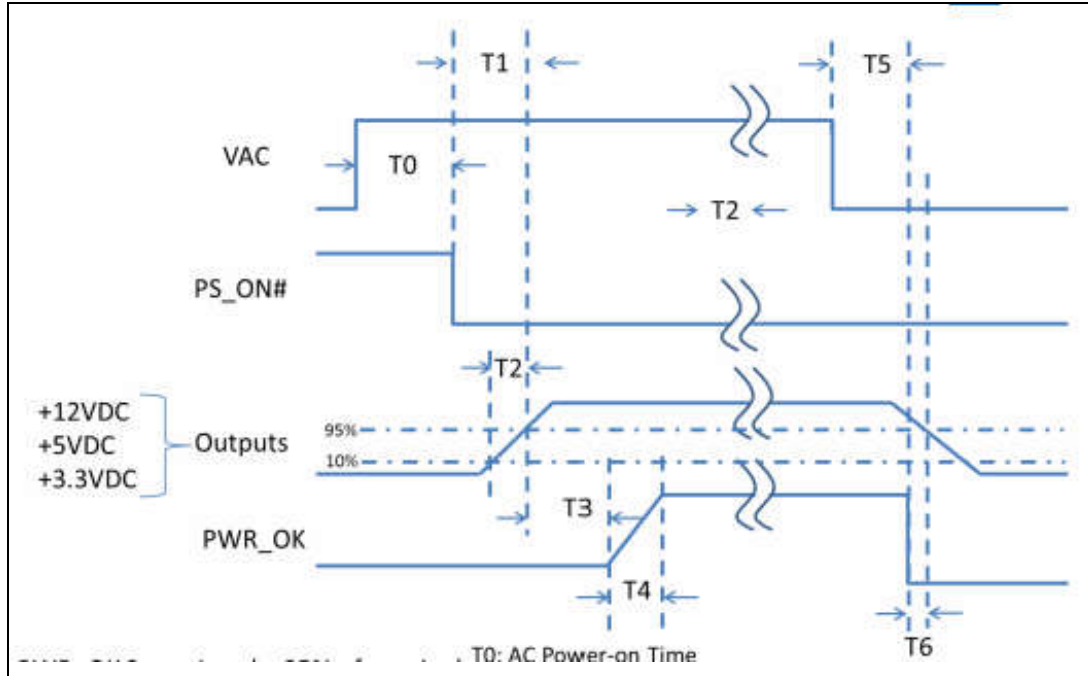


Figure 2

Table14

Parameter	Description	Required
T0	AC power on time	<2s
T1	Power-on time	< 150ms
T2	Rise time	0.2 – 20 ms
T3	PWR_OK delay	100 – 150ms
T4	PWR_OK rise time	< 10 ms
T5	AC loss to PWR_OK hold-up time	<b>&gt; 11 ms</b>
T6	PWR_OK inactive to DC loss delay	> 1 ms

The power supply should maintain output regulations per Table 5 despite a loss of input power at the low-end nominal range-115 VAC / 47 Hz or 230 VAC / 47 Hz – at maximum continuous output load as applicable for a minimum of **12ms** (T5+T6)

## 6. SAFETY:

The power supply designed to meet **IEC 62368-1**.

### 6.1 Electrical strength:

Gradually increased from 0V to 1500V is applied in the AC line and the casing, and then keep for 1 minutes, the insulation should not breakdown; if the current increases rapidly due to the test voltage and gets out of the way, that is to limit the current insulation, insulation breakdown that has occurred; corona discharge or flashover is not a single moment that is the breakdown of insulation.

### 6.2 Ground Resistance:

Ground resistance value less than  $< 0.1 \text{ ohm}(40\text{A})$

### 6.3 Touch current:

When the input 250Vac, contact current less than 3.5mA at 25°C.

### 6.4 EMC

- 6.4.1 ELECTROSTATIC DISCHARGE (ESD) – IEC 61000-4-2(EN 61000-4-2).
- 6.4.2 RADIATED SUSCEPTIBILITY – IEC 61000-4-3(EN 61000-4-3).
- 6.4.3 ELECTRICAL FAST TRANSIENT / BURST ( EFT/B) – IEC 61000-4 -4(EN 61000-4-4).
- 6.4.4 SURGE – IEC 61000-4-5(EN 61000-4-5).
- 6.4.5 CONDUCTED SUSCEPTIBILITY – IEC 61000-4-6(EN 61000-4-6).
- 6.4.6 POWER FREQUENCY MAGNETIC FIELD – IEC 61000-4-8(EN 61000-4-8).
- 6.4.7 VOLTAGE DIPS – IEC 61000-4-11(EN 61000-4-11).
- 6.4.8 VOLTAGE FLUCTUATIONS – IEC 61000-3-3 (EN 61000-3-3).
- 6.4.9 HARMONIC CURRENT EMISSION – IEC61000-3-2(EN 61000-3-2).
- 6.4.10 EN55032:Class B Radio interference (CISPR 32).
- 6.4.11 ANSI C63.4-2014 / FCC Part 15 Subpart B / ICES-003 Issue 6 Class B 115VAC operation.

## 7. Reliability:

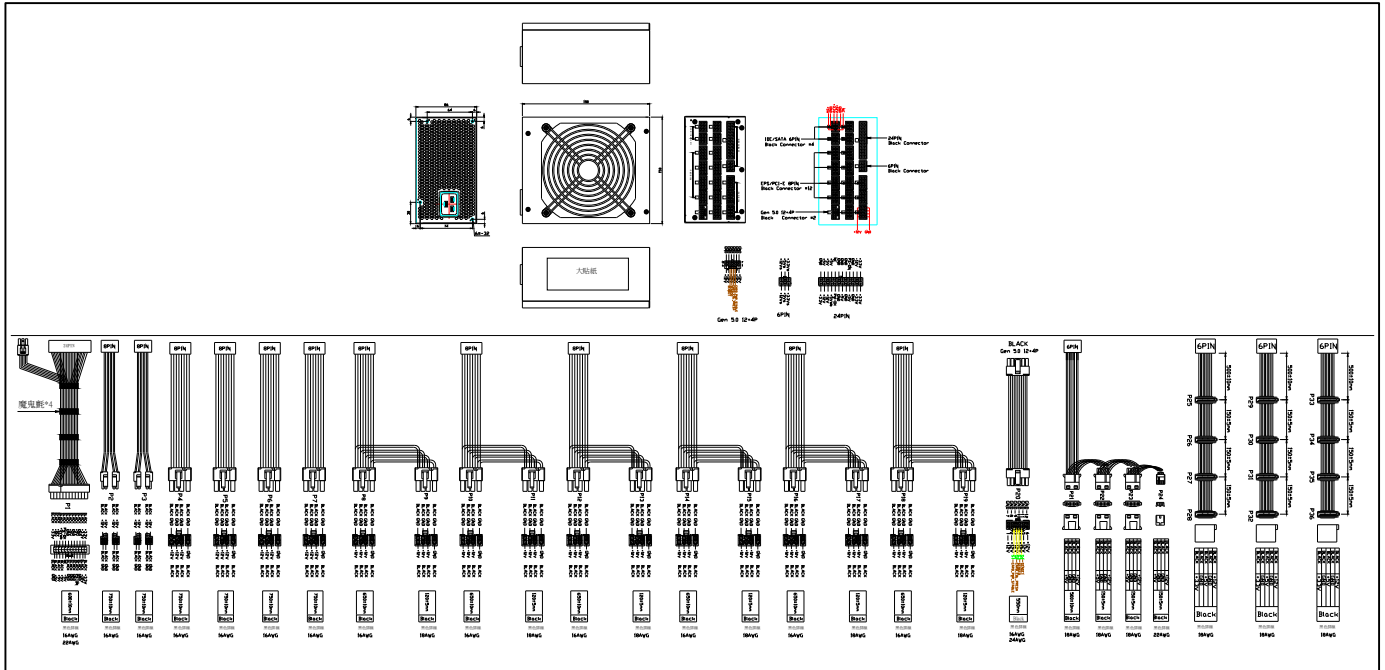
The demonstrated MTBF shall be 100,000 hours of continuous operation at 25oC and full load and nominal voltage. The MTBF of the power supply shall be calculated in accordance with MIL-HDBK-217F. The DC FAN is not included.

## 8. Mechanical:

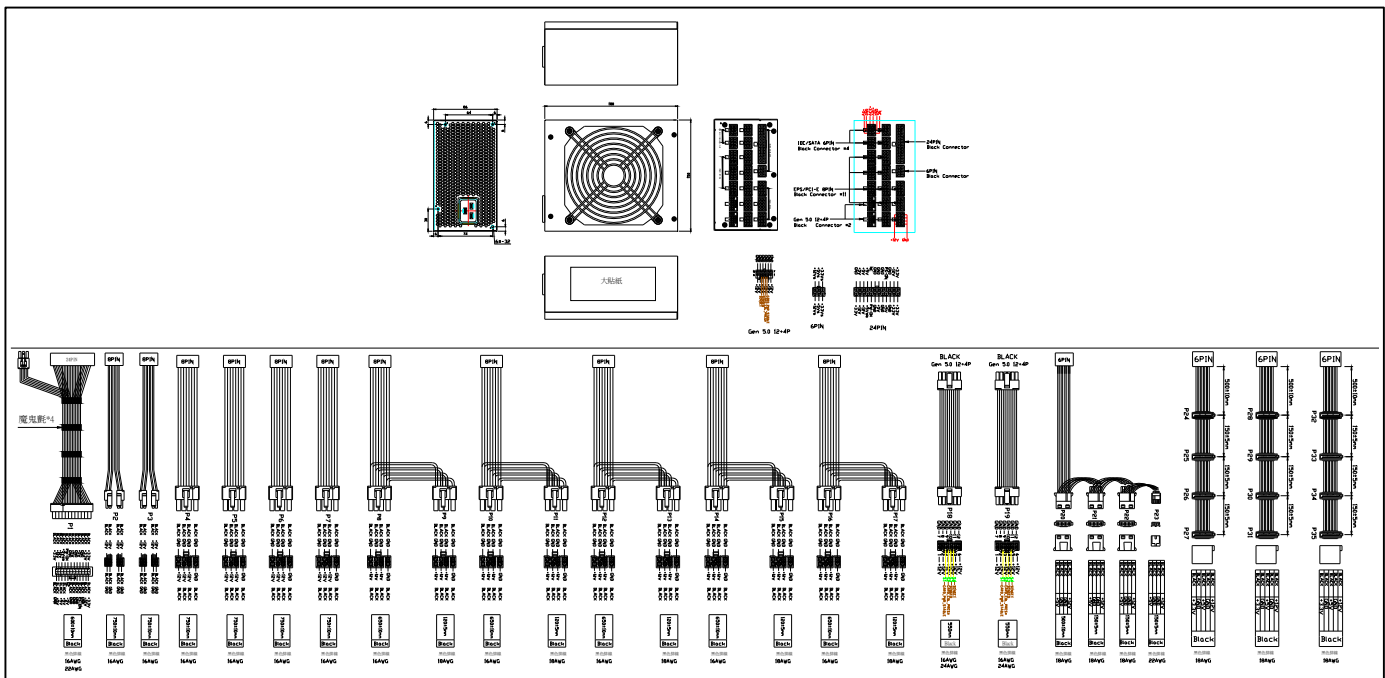
### 8.1 Physical dimension: L180mm\*W150mm\*H86mm

( 線材組合&外露長度僅供參考，可根據客戶要求更改或新增。)

#### 1100W~1500W，12V-2x6 Connector/1PCS；



#### 1600W~2000W，12V-2x6 Connector/2PCS；



## 8.2 Connectors (INTEL approved equivalent):

### M/B 24PIN (Molex 44476-1111 or equivalent)

16AWG wire	Signal	Pin	Pin	Signal	16AWG wire
Black	+3.3V	11	1	+3.3V	Black
Black(22AWG)	+3.3Vsense				Black
Black	-12V	12	2	+3.3V	Black
Black	GND	13	3	GND	Black
Black	PS-ON	14	4	+5VDC	Black
				+5Vsense	Black(22WAG)
Black	GND	15	5	GND	Black
Black	GND	16	6	+5VDC	Black
Black	GND	17	7	GND	Black
Black	NC	18	8	PW-OK	Black
Black	+5V	19	9	+5VSB	Black
Black	+5V	20	10	+12V	Black
				+12Vsense	Black(22WAG)
Black	+5V	T3	T1	+12V	Black
Black	GND	T4	T2	+3.3V	Black

### CPU(4+4)PIN (Molex 44476-1111 or equivalent)

16AWG wire	Signal	Pin	Pin	Signal	16AWG wire
Black	+12V	3	1	GND	Black
Black	+12V	4	2	GND	Black
Black	+12V	3	1	GND	Black
Black	+12V	4	2	GND	Black

### PCI(6+2)PIN (Molex AP102XN8T1-204X-RS1 or equivalent)

16AWG wire	Signal	Pin	Pin	Signal	16AWG wire
Black	+12V	1	4	GND	Black
Black	+12V	2	5	GND	Black
Black	+12V	3	6	GND	Black
Black	GND	1	2	GND	Black

### HDD 4PIN (AMP 1-480424-0 or Molex 8981-04P or equivalent)

18AWG wire	Signal	Pin
Black	+12V	1
Black	GND	2
Black	GND	3
Black	+5V	4

### Floppy 4PIN (AMP 171822-4 or equivalent)

22AWG wire	Signal	Pin
Black	+12V	4
Black	GND	3
Black	GND	2
Black	+5V	1

### SATA 5PIN (Molex 88751 or equivalent)

18AWG wire	Signal	Pin
Black	+3.3V	5
Black	GND	4
Black	+5V	3
Black	GND	2
Black	+12V	1

### PCIe 12+4PIN : 12V-2x6 Auxiliary Power Connector Pin Assignment

16AWG wire	Signal	Pin	Pin	Signal	16AWG wire
Black	+12V	1	7	GND	Black
Black	+12V	2	8	GND	Black
Black	+12V	3	9	GND	Black
Black	+12V	4	10	GND	Black
Black	+12V	5	11	GND	Black
Black	+12V	6	12	GND	Black
Black(24AWG)	CARD_PWR_STABLE	S1	S3	SENSE0	Black(24AWG)
Black(24AWG)	CARD_CBL_PRES#	S2	S4	SENSE1	Black(24AWG)

## 9. FAN SPEED CONTROL

1.Fan voltage varies with the ambient temperature or output power.

ATX-58000 Revision: 3.0 Enhance Gen 5.1		Date: 2023/11/28	Page 13 of 13
---	---	------------------	---------------

AUDIT: \_\_\_\_\_ CHECK: \_\_\_\_\_ H X X \_\_\_\_\_ DESIGN: \_\_\_\_\_ L X J \_\_\_\_\_