

## MODEL NO. ATX2700 SERIES (ACTIVE PFC)

This specification describes the requirements of 450W,500W,550W,600W,650W,700W,750Watts switching power supply with an stretch ATX form-factor and EPS 12V, +5V standby voltage, remote on/off control,full range line input capability and forced air cooling characteristics.

### ☞ 1.0 AC INPUT

#### 1.1 AC input requirements

The input voltage, current, and frequency requirements for continuous operation are stated below.

Table 1 AC Input Line Requirements

| Parameter     | Min | Nom                  | Max | Unit   |
|---------------|-----|----------------------|-----|--------|
| Vin           | 90  | <b>100 ---- 240</b>  | 264 | VACrms |
| Vin Frequency | 47  | <b>60 ----- 50</b>   | 63  | Hz     |
| Iin(450.500W) |     | <b>7.0 ----- 3.5</b> |     |        |
| Iin(550.600W) |     | <b>8.0 ----- 4.0</b> |     |        |
| Iin(650.700W) |     | <b>9.0 ----- 4.5</b> |     |        |
| Iin(750W)     |     | <b>10.0 ---- 5.0</b> |     |        |

Power factor correction (PF)>0.9 at full load.

#### 1.2 Inrush current regulation

The power supply must meet inrush requirements for any rated AC voltage, during turn on at any phase of AC voltage, during a single cycle AC dropout condition, during repetitive ON/OFF cycling of AC, and over the specified temperature range (Top). The peak inrush current shall be less than the ratings of its critical components (including input fuse, bulk rectifiers, and surge limiting device).

### ☞ 2.0 DC OUTPUT

#### 2.1 DC voltage regulation

| Parameter | Range | Min   | Nom.  | Max   | Unit  |
|-----------|-------|-------|-------|-------|-------|
| +3.3V     | ±5%   | +3.14 | +3.3  | +3.47 | Volts |
| +5V       | ±5%   | +4.75 | +5.0  | +5.25 | Volts |
| +12V      | ±5%   | +11.4 | +12.0 | +12.6 | Volts |
| -12V      | ±5%   | -11.4 | -12.0 | -12.6 | Volts |
| +5VSb     | ±5%   | +4.75 | +5.0  | +5.25 | Volts |

**2.2 LOAD RANGE****2.2.1 450W Load range**

| Parameter | Min | Nom. | Max        | Peak | Unit |
|-----------|-----|------|------------|------|------|
| +3.3V     | 0   | -    | <b>20</b>  |      | Amps |
| +5V       | 0   | -    | <b>20</b>  |      | Amps |
| +12V      | 0   | -    | <b>37</b>  |      | Amps |
| -12V      | 0   | -    | <b>0.3</b> |      | Amps |
| +5VSb     | 0   | -    | <b>2.5</b> |      | Amps |

Notes:

- ( 1 ) The maximum combined load on +3.3V and +5V outputs shall not exceed **100W**.
- ( 2 ) The +12V maximum load shall not exceed **444W**.
- ( 3 ) The maximum continuous average DC outputs power shall not exceed **450W**.

**2.2.2 500W Load range**

| Parameter | Min | Nom. | Max        | Peak | Unit |
|-----------|-----|------|------------|------|------|
| +3.3V     | 0   | -    | <b>20</b>  |      | Amps |
| +5V       | 0   | -    | <b>20</b>  |      | Amps |
| +12V      | 0   | -    | <b>41</b>  |      | Amps |
| -12V      | 0   | -    | <b>0.3</b> |      | Amps |
| +5VSb     | 0   | -    | <b>2.5</b> |      | Amps |

Notes:

- ( 1 ) The maximum combined load on +3.3V and +5V outputs shall not exceed **100W**.
- ( 2 ) The +12V maximum load shall not exceed **492W**.
- ( 3 ) The maximum continuous average DC outputs power shall not exceed **500W**.

**2.2.3 550W Load range**

| Parameter | Min | Nom. | Max        | Peak | Unit |
|-----------|-----|------|------------|------|------|
| +3.3V     | 0   | -    | <b>20</b>  |      | Amps |
| +5V       | 0   | -    | <b>20</b>  |      | Amps |
| +12V      | 0   | -    | <b>45</b>  |      | Amps |
| -12V      | 0   | -    | <b>0.3</b> |      | Amps |
| +5VSb     | 0   | -    | <b>2.5</b> |      | Amps |

Notes:

- ( 1 ) The maximum combined load on +3.3V and +5V outputs shall not exceed **100W**.
- ( 2 ) The +12V maximum load shall not exceed **540W**.
- ( 3 ) The maximum continuous average DC outputs power shall not exceed **550W**.

**2.2.4 600W Load range**

AUDIT: \_\_\_\_\_ CHECK: \_\_\_\_\_ DESIGN: 楊雲利

| Parameter | Min | Nom. | Max        | Peak | Unit |
|-----------|-----|------|------------|------|------|
| +3.3V     | 0   | -    | <b>20</b>  |      | Amps |
| +5V       | 0   | -    | <b>20</b>  |      | Amps |
| +12V      | 0   | -    | <b>50</b>  |      | Amps |
| -12V      | 0   | -    | <b>0.3</b> |      | Amps |
| +5VSb     | 0   | -    | <b>2.5</b> |      | Amps |

Notes:

- ( 1 ) The maximum combined load on +3.3V and +5V outputs shall not exceed **100W**.
- ( 2 ) The +12V maximum load shall not exceed **600W**.
- ( 3 ) The maximum continuous average DC outputs power shall not exceed **600W**.

### 2.2.5 650W Load range

| Parameter | Min | Nom. | Max        | Peak | Unit |
|-----------|-----|------|------------|------|------|
| +3.3V     | 0   | -    | <b>20</b>  |      | Amps |
| +5V       | 0   | -    | <b>20</b>  |      | Amps |
| +12V      | 0   | -    | <b>54</b>  |      | Amps |
| -12V      | 0   | -    | <b>0.3</b> |      | Amps |
| +5VSb     | 0   | -    | <b>2.5</b> |      | Amps |

Notes:

- ( 1 ) The maximum combined load on +3.3V and +5V outputs shall not exceed **100W**.
- ( 2 ) The +12V maximum load shall not exceed **648W**.
- ( 3 ) The maximum continuous average DC outputs power shall not exceed **650W**.

### 2.2.6 700W Load range

| Parameter | Min | Nom. | Max        | Peak | Unit |
|-----------|-----|------|------------|------|------|
| +3.3V     | 0   | -    | <b>20</b>  |      | Amps |
| +5V       | 0   | -    | <b>20</b>  |      | Amps |
| +12V      | 0   | -    | <b>58</b>  |      | Amps |
| -12V      | 0   | -    | <b>0.3</b> |      | Amps |
| +5VSb     | 0   | -    | <b>2.5</b> |      | Amps |

Notes:

- ( 1 ) The maximum combined load on +3.3V and +5V outputs shall not exceed **100W**.
- ( 2 ) The +12V maximum load shall not exceed **696W**.
- ( 3 ) The maximum continuous average DC outputs power shall not exceed **700W**.

### 2.2.7 750W Load range

| Parameter | Min | Nom. | Max | Peak | Unit |
|-----------|-----|------|-----|------|------|
|-----------|-----|------|-----|------|------|

AUDIT: \_\_\_\_\_ CHECK: \_\_\_\_\_ DESIGN: 楊雲利

|       |   |   |            |  |      |
|-------|---|---|------------|--|------|
| +3.3V | 0 | - | <b>20</b>  |  | Amps |
| +5V   | 0 | - | <b>20</b>  |  | Amps |
| +12V  | 0 | - | <b>62</b>  |  | Amps |
| -12V  | 0 | - | <b>0.3</b> |  | Amps |
| +5VSb | 0 | - | <b>2.5</b> |  | Amps |

Notes:

- ( 1 ) The maximum combined load on +3.3V and +5V outputs shall not exceed **100W**.
- ( 2 ) The +12V maximum load shall not exceed **744W**.
- ( 3 ) The maximum continuous average DC outputs power shall not exceed **750W**.

### 2.3 Output Ripple

#### 2.3.1 Ripple regulation

##### 全出線/半插拔規格

| Parameter | Ripple&Noise | Unit  |
|-----------|--------------|-------|
| +3.3V     | <b>50</b>    | mVp-p |
| +5V       | <b>50</b>    | mVp-p |
| +12V      | <b>120</b>   | mVp-p |
| -12V      | <b>120</b>   | mVp-p |
| +5VSb     | <b>50</b>    | mVp-p |

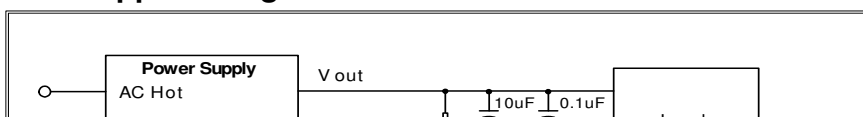
##### 全插拔

| Parameter | Ripple&Noise | Unit  |
|-----------|--------------|-------|
| +3.3V     | <b>20</b>    | mVp-p |
| +5V       | <b>20</b>    | mVp-p |
| +12V      | <b>50</b>    | mVp-p |
| -12V      | <b>50</b>    | mVp-p |
| +5VSb     | <b>20</b>    | mVp-p |

#### 2.3.2 Definition

The ripple voltage of the outputs shall be measured at the pins of the output connector when terminated in the load impedance specified in figure1. Ripple and noise are measured at the connectors with a 0.1uF ceramic capacitor and a 10uF electrolytic capacitor to simulate system loading. Ripple shall be measured under any condition of line voltage, output load, line frequency, operation temperature.

#### 2.3.3 Ripple voltage test circuit



AUDIT: \_\_\_\_\_ CHECK: \_\_\_\_\_ DESIGN: 楊雲利

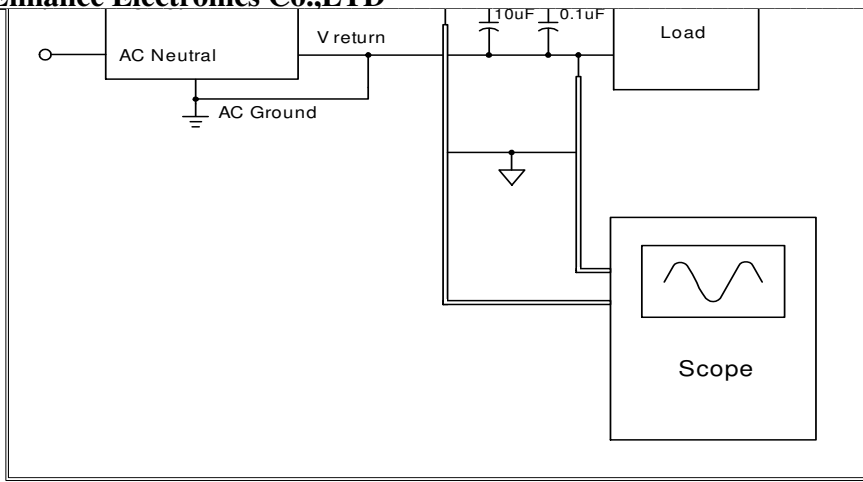


Figure 1. Ripple voltage test circuit

**2.4 Overshoot**

Any overshoot at turn on or turn off shall be less 10% of the nominal voltage value, all outputs shall be within the regulation limit of section 2.0 before issuing the power good signal of section 5.0.

**2.5 Efficiency**

At 115Vac

| load | Efficiency | PF    |
|------|------------|-------|
| 20%  | <b>87</b>  |       |
| 50%  | <b>90</b>  | >0.95 |
| 100% | <b>87</b>  | >0.95 |

In order to meet EuP\* requirements the following guidance must be met for the +5Vsb efficiency at 230V AC.

| Load on 5Vsb | 2013 Efficiency |
|--------------|-----------------|
| 45mA         | ≥ <b>50%</b>    |
| 100mA        | ≥ <b>55%</b>    |
| 250mA        | ≥ <b>65%</b>    |
| ≥1A          | ≥ <b>75%</b>    |

**2.6 Remote on/off control**

When the logic level "PS-ON" is low, the DC outputs are to be enabled.

When the logic level is high or open collector, the DC outputs are to be disabled.

**2.7 Output Transient Response**

summarizes the expected output transient step sizes for each output. The transient load slew rate is =1.0A/us.

Table 3

| Output   | Maximum Step Size (% of rated output amps) | Maximum Step Size (A) |
|----------|--|-----------------------|
| +12 VDC  | 40%  |                       |
| +5 VDC   | 30%  |                       |
| +3.3 VDC | 30%  |                       |
| -12 VDC  |  | 0.1A                  |
| +5 VSB   |  | 0.5A                  |

For example, for a rated +5 VDC output of 18A, the transient step would be  $30\% \times 18A = 5.4A$

Output voltages should remain within the regulation limits of Section 2.1, and the power supply should be stable when subjected to load transients per Table 3. from any steady state load, including any or all of the following conditions:

- \* Simultaneous load steps on the +12 VDC, +5 VDC, and +3.3 VDC outputs  
(all steps occurring in the same direction)
- \* Load-changing repetition rate of 50 Hz to 10 kHz
- \* AC input range per Section 1.0

## ☞ 3.0 PROTECTION

### 3.1 Over current protection

The power supply shall have current limit to prevent the +3.3 V, +5 V, and +12 V outputs from exceeding the values shown in Table . If the current limits are exceeded the power supply shall shutdown and latch off. The damaged from repeated power cycling in this condition. -12 V and 5 VSB shall be protected under over current or shorted conditions so that no damage can occur to the power supply. All outputs shall be protected so that no damage occurs to the power supply under a shorted output condition.

| Voltage    | Over Current Limit (I <sub>out</sub> limit) |
|------------|---|
| +12V(450W) | 40A minimum; 60A maximum                    |
| +12V(500W) | 43A minimum; 65A maximum                    |
| +12V(550W) | 47A minimum; 70A maximum                    |
| +12V(600W) | 52A minimum; 75A maximum                    |
| +12V(650W) | 56A minimum; 80A maximum                    |
| +12V(700W) | 60A minimum; 85A maximum                    |
| +12V(750W) | 65A minimum; 90A maximum                    |
| +5V        | 25A minimum; 45A maximum                    |
| +3.3V      | 25A minimum; 45A maximum                    |

### 3.2 Over Temperature Protection

The power supply will be protected against over temperature conditions caused by loss of fan cooling or excessive ambient temperature. In an OTP condition the PSU will shutdown. When the power supply temperature drops to within specified limits, the power supply shall Latch mode.

### 3.3 Over-power protection

The power supply will be shutdown and latch off when output power within 105~150% of rated DC output.

Note: Assurance machine can work at low voltage,full load won't damage machine.

### 3.4 Under voltage protection.

In an under voltage fault occurs, the supply will latch all DC outputs into a shutdown state when +12V,+5V & +3.3V outputs under 85% of it's maximum value.

### 3.5 Over voltage protection

The over voltage sense circuitry and reference shall reside in packages that are separate and distinct from the regulator control circuitry and reference.No single point fault shall be able to cause a sustained over voltage condition on any or all outputs.The +5Vdc and +3.3Vdc and +12Vdc supply shall provide latch-mode over voltage protection and +5Vsb shall provide recover automatically as defined in Table.

| Output   | Minimum | Nominal | Maximum | Unit  |
|----------|---------|---------|---------|-------|
| +12V VDC | 13      | 15      | 17      | Volts |
| +5 VDC   | 5.5     | 6       | 7       | Volts |
| +3.3 VDC | 3.6     | 4       | 5       | Volts |
| +5Vsb DC | 5.5     | 6       | 7       | Volts |

### 3.6 Short circuit

An output short circuit is defined as any output impedance of less than 0.1 ohms.The power supply shall shut down and latch off for shorting the +3.3 VDC,+5 VDC,or+12VDC rails to return or any other rail. Shorts between main output rails and +5VSB shall not cause any damage to the power supply. The power supply shall either shut down and latch off or fold back for shorting the negative rails.+5VSB must be capable of being shorted indefinitely,but when the short is removed, the power supply shall recover automatically or by cycling PS\_ON#.The power supply shall be capable of withstanding a continuous short-circuit to the output without damage or overstress to the unit

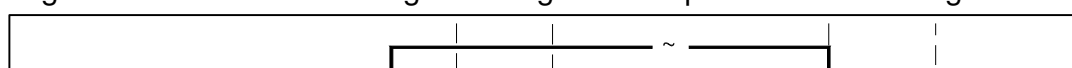
### 3.7 No load operation

No damage or hazardous condition should occur with all the DC output connectors disconnected from the load.The power supply may latch into the shutdown state.

## 4.0 TIMING

### 4.1 Signal timing drawing

Figure 2 is a reference for signal timing for main power connector signals and rails.



AUDIT: \_\_\_\_\_ CHECK: \_\_\_\_\_ DESIGN: 楊雲利

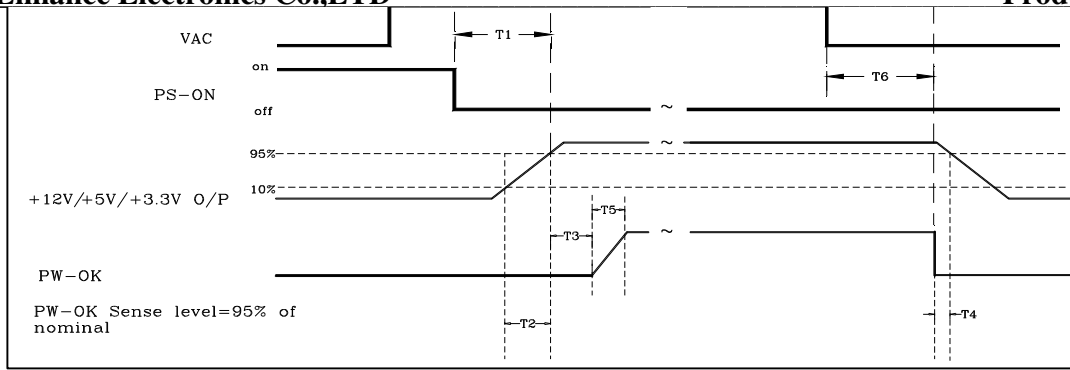


Figure 2. PS-OK Timing Sequence

- (1)T1: Power-on time (0.1~500ms)
- (2)T2: Rise time (0.1~20ms)
- (3)T3: Power good signal turn on delay time (100ms~500ms)
- (4)T4: Power good signal turn off delay time (75%Load 1ms min)
- (5)T5: Power good signal Rise time ( 20ms max)
- (4)T6: Hold up time (75%Load 16ms Min)

4.2 Hold up time

When the power loss its input power, it shall maintain **16ms** in regulation limit at normal input voltage and **75%** load (AC:115V/60Hz or 230V/50Hz)

5.0 ENVIRONMENT

5.1 Operation

|                   |                         |
|-------------------|-------------------------|
| Temperature       | 0 to 40 °C              |
| Relative Humidity | 20 to 85%,on-condensing |

5.2 Shipping and Storage

|                   |                          |
|-------------------|--------------------------|
| Temperature       | -20 to 90°C              |
| Relative Humidity | 10 to 95%,non-condensing |

5.3 Altitude

|           |       |
|-----------|-------|
| Operating | 2000m |
| Storage   | 3000m |

6.0 SAFETY

6.1 Underwriters Laboratory (UL) recognition.

The power supply designed to meet UL 60950.

7.0 ELECTROMAGNETIC COMPATIBILITY (EMC)

AUDIT: \_\_\_\_\_ CHECK: \_\_\_\_\_ DESIGN: 楊雲利

- 7.1 ELECTROSTATIC DISCHARGE (ESD) – IEC 61000-4-2(EN 61000-4-2).
- 7.2 RADIATED SUSCEPTIBILITY – IEC 61000-4-3(EN 61000-4-3).
- 7.3 ELECTRICAL FAST TRANSIENT / BURST ( EFT/B) – IEC 61000-4 -4(EN 61000-4-4).
- 7.4 SURGE – IEC 61000-4-5(EN 61000-4-5).
- 7.5 CONDUCTED SUSCEPTIBILITY – IEC 61000-4-6(EN 61000-4-6).
- 7.6 POWER FREQUENCY MAGNETIC FIELD – IEC 61000-4-8(EN 61000-4-8).
- 7.7 VOLTAGE DIPS – IEC 61000-4-11(EN 61000-4-11).
- 7.8 VOLTAGE FLUCTUATIONS – IEC 61000-3-3 (EN 61000-3-3).
- 7.9 HARMONIC CURRENT EMISSION – IEC61000-3-2(EN 61000-3-2).
- 7.10 EN55032:Class B Radio interference (CISPR 22).
- 7.11 ANSI C63.4-2009 / FCC Part 15 Subpart B / ICES-003 Issue 5 Class B 115VAC operation.

## ☞ 8.0 MTBF

### 8.1 MTBF (mean time between failures) calculation

The demonstrated MTBF shall be 100,000 hours of continuous operation at 25°C, full load and 120V AC input. The MTBF of the power supply shall be calculated in accordance with MIL-HDBK-217F. The DC FAN is not included.

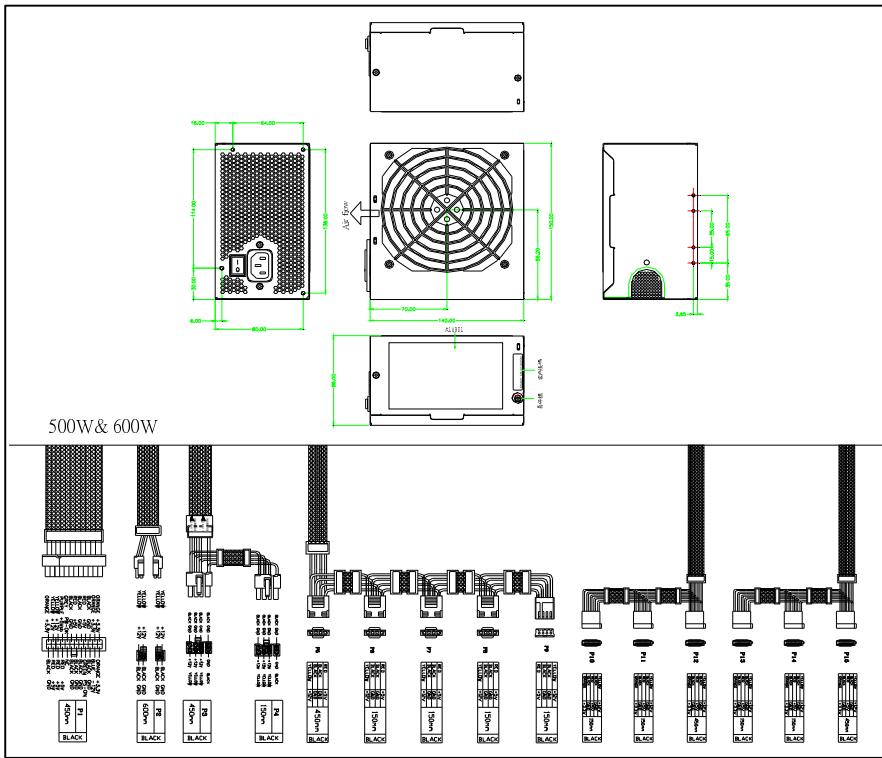
## ☞ 9.0 MECHANICAL REQUIREMENTS

### 9.1 Physical dimension : L140mm\*W150mm\*H86mm

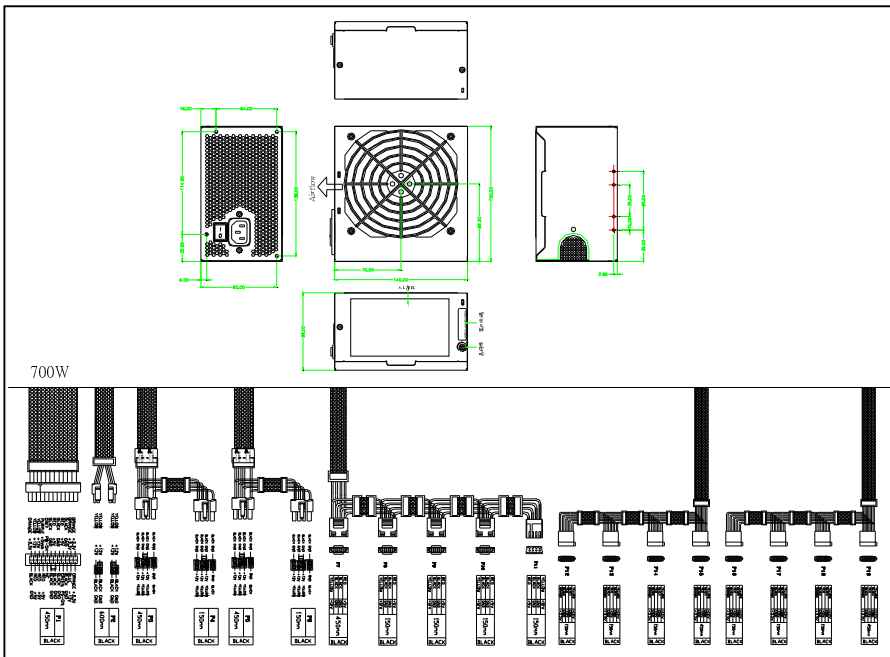
( 線材組合 & 外露長度僅供參考，可根據客戶要求更改或新增。 )

直出線 500W/600W

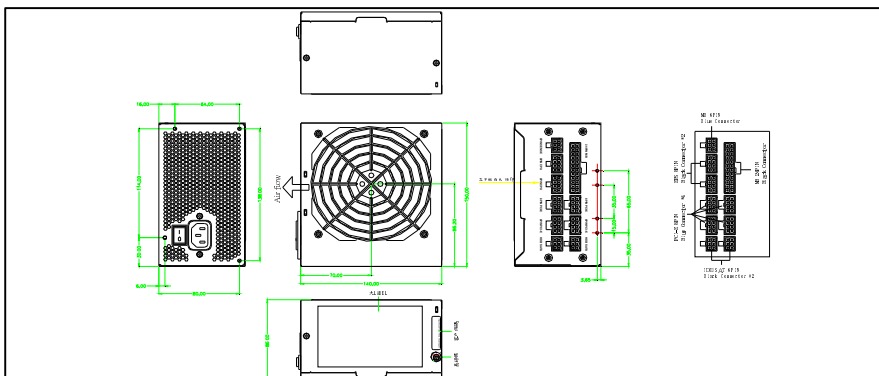
AUDIT: \_\_\_\_\_ CHECK: \_\_\_\_\_ DESIGN: 楊雲利

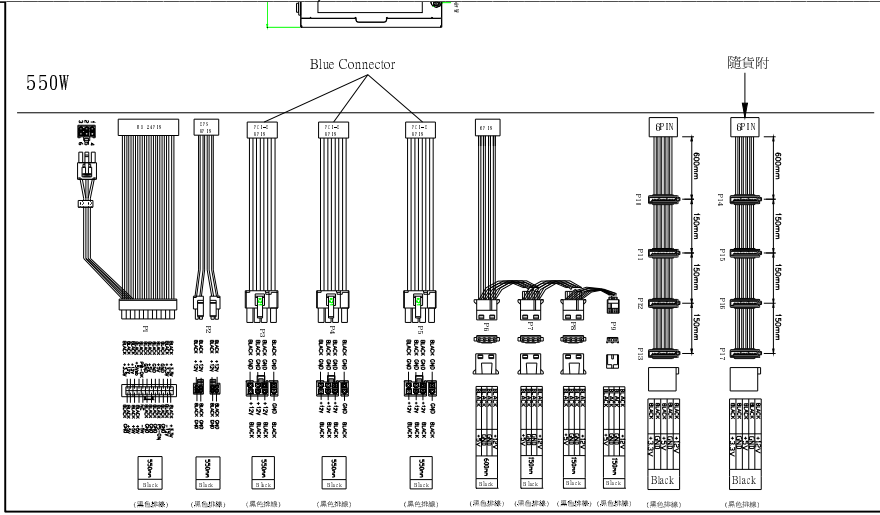


直出線 700W

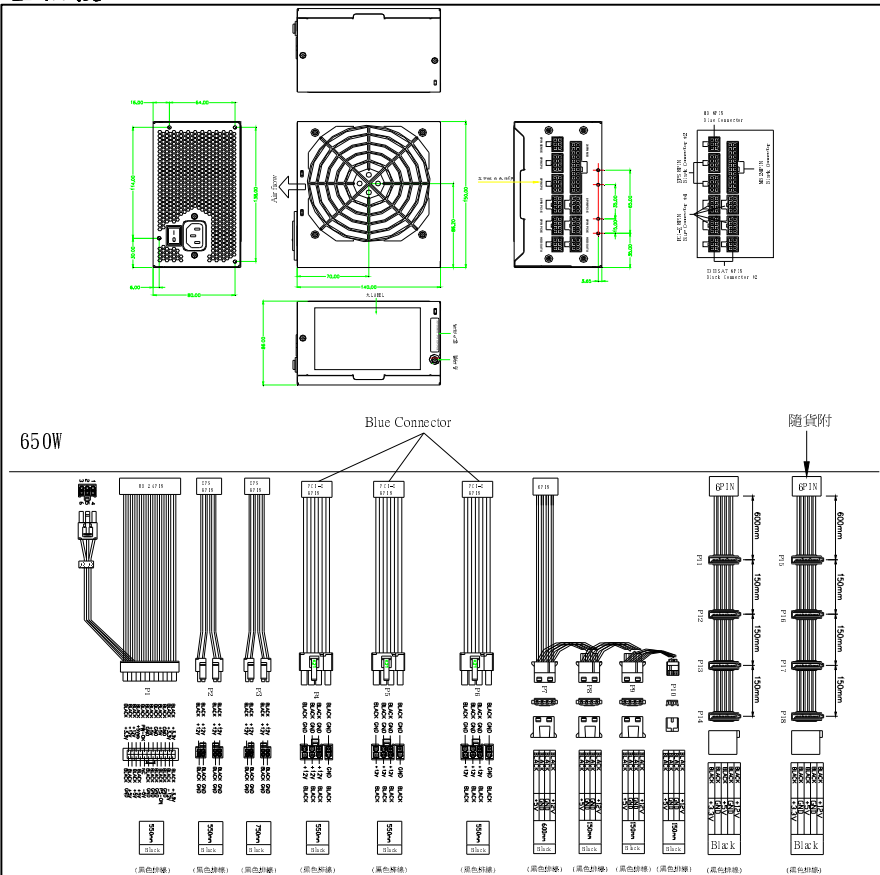


全插拔 550W

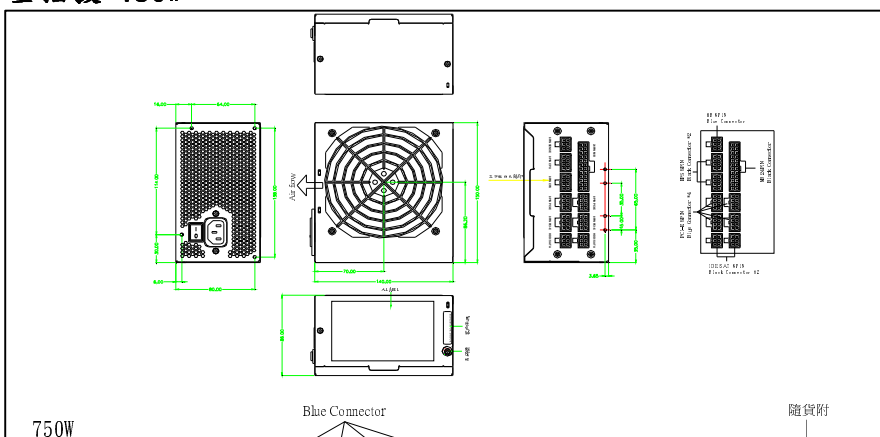




全插拔 650W



全插拔 750W



AUDIT: \_\_\_\_\_ CHECK: \_\_\_\_\_ DESIGN: 楊雲利



|        |      |   |   |     |       |
|--------|------|---|---|-----|-------|
| Yellow | +12V | 2 | 5 | COM | Black |
| Yellow | +12V | 3 | 6 | COM | Black |
| Black  | COM  | 1 | 2 | COM | Black |

**P7,P8,P9 ,P10,P11 大4PIN Power Connector (Molex\*C5082 H02-4P or equivalent)**

| 18 AWG wire | Signal | Pin |
|-------------|--------|-----|
| Yellow      | +12V   | 1   |
| Black       | GND    | 2   |
| Black       | GND    | 3   |
| Red         | +5V    | 4   |

**P12~P19 SATA Power Connector (Molex\* A3811H00-5P or equivalent)**

| 18 AWG wire | Signal | Pin |
|-------------|--------|-----|
| Orange      | +3.3V  | 5   |
| Black       | GND    | 4   |
| Red         | +5V    | 3   |
| Black       | GND    | 2   |
| Yellow      | +12V   | 1   |

**☞ 10. FAN SPEED CONTROL**

Fan voltage varies with the ambient temperature or output power.